

Quick Select Manifold Station with Optional Auto ID

QSM & QSM-ID Series: For 1.5-3" I.D. Material Lines

Expandable manifold directs multiple materials to multiple destinations.

Auto ID technology option for material verification and validation

A low voltage signal registers each time a material hose is connected to a material supply manifold. If that signal does not match the information preprogrammed into the system controller, a material mismatch alarm sounds, and the material will not convey.



Optional Auto ID of Material Source and Destination

Adds manifold isolation and remote I/O ensuring reliable electronic verification of the selected connection via compatible Novatec central conveying control panel.

Modular, Expandable Design

Each module accommodates up to two 6-position manifolds (12 connections) for 1.5"-2" O.D. lines or two 5-position manifolds (10 connections) for 2.5"-3" O.D. lines. Up to 4 modules can be combined per QSM assembly-modules and full assemblies can be added as needed.

Auto Purge of Material Lines

The upright manifold design enhances material flow, and promotes improved purge performance when used with source valve.

Auto-Lock Connection

Simple lance-style material line couplers are easier to use than bayonet connections. Material lines are automatically locked into position by source line cover for quick and easy source selection and positive vacuum seal.



Attractive cabinet design with interlocking panels enclose fantail manifolds accommodating a range of material line diameters. Material names can be clearly marked on the cabinet face.

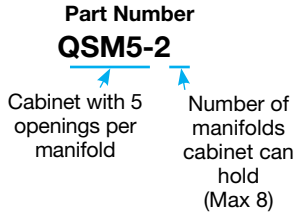


Auto lock connection.

DRI-AIR®
Industries, Inc.

 PROUDLY MADE IN THE USA

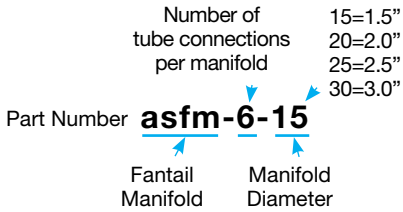
Mezzanine Mount - Enclosed Cabinets



Width	5-Openings/Manifold Large Dia. (2.5" - 3.0" O.D.)	6-Openings/Manifold Small Dia. (1.5" - 2.0" O.D.)
2 Manifolds	QSM5-2	QSM6-2
4 Manifolds	QSM5-4	QSM6-4
6 Manifolds	QSM5-6	QSM6-6
8 Manifolds	QSM5-8	QSM6-8

Block-Off Kits:
(Set of 5 or 6 covers for blocking off a complete manifold position)
Part # asfc5-Blank
Part # asfc6-Blank

Fantail Manifold Part Numbers

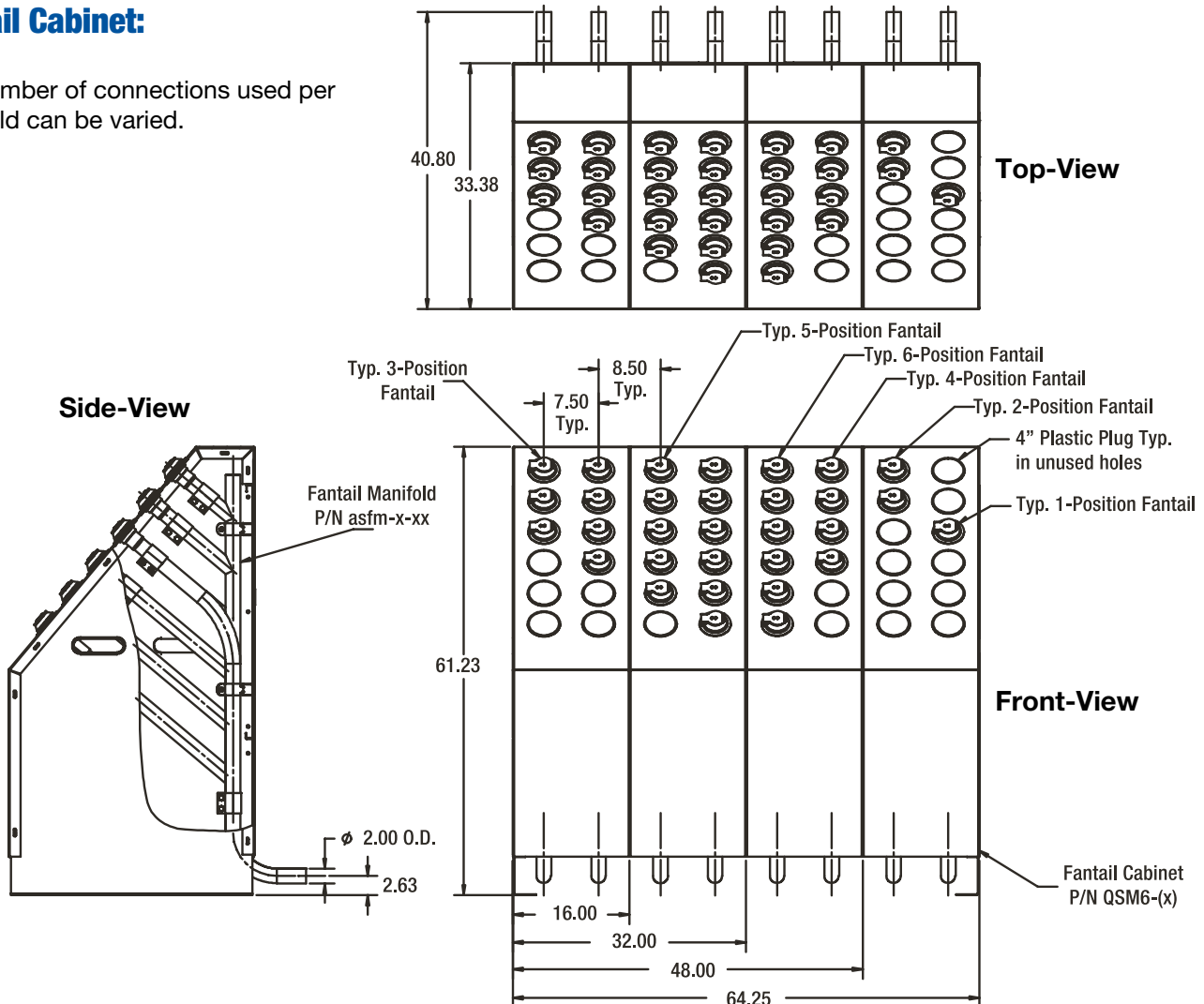


1.5" Diameter Manifolds	2" Diameter Manifolds	2.5" Diameter Manifolds	3" Diameter Manifolds
asfm-6-15	asfm-6-20	N/A	N/A
asfm-5-15	asfm-5-20	asfm-5-25	asfm-5-30
asfm-4-15	asfm-4-20	asfm-4-25	asfm-4-30
asfm-3-15	asfm-3-20	asfm-3-25	asfm-3-30
asfm-2-15	asfm-2-20	asfm-2-25	asfm-2-30
asfm-1-15	asfm-1-20	asfm-1-25	asfm-1-30

NOTE: Order the quantity of each manifold required for total installation. Add -F to manifold part number for use with open frame.

Fantail Cabinet:

The number of connections used per manifold can be varied.



Quick Select Manifold Station with Optional Auto ID



Material and destination names can be clearly marked to help avoid errors.



Auto ID Control recognizes any mismatch of source to destination and blocks material transfer.

Open Frames - Mezzanine Mount (56.5" high)

Part Number
asff5-2

Frame for large dia. fantails (Max 5 tube connections for each)

Number of fantails frame can hold (Max 8)

Frame Width	5-Tubes/Manifold Small Dia. (1.5" - 2.0" O.D.)	6-Tubes/Manifold Small Dia. (1.5" - 2.0" O.D.)
2 Manifolds	asff5-2	asff6-2
4 Manifolds	asff5-4	asff6-4
6 Manifolds	asff5-6	asff6-6
8 Manifolds	asff5-8	asff6-8



Open frame models available.

Option: *Auto ID of Materials:

(Requires programming of NOVATEC controls and QSM cabinet)

For Fantail Manifolds:

Add -ID to fantail manifold part numbers

For FlexXpand Controls:

Destination outputs (16) (maximum 8 each)

Source inputs (16) (maximum 4 each)

For FlexNet MCS-696 control:

Destination outputs (48) PN# 08-0102

Source inputs (32) (maximum 1 each)

Source inputs (16) (maximum 2 each)

*Auto ID requires flex hose with static wire. Maximum material temperature = 250°F.
Purge required for temperatures exceeding 180°F.

Accessories:

Floor Mount Accessories: Short Radius Bends

1.5" O.D., SS, 90° 6" CLR

2.5" O.D., SS, 90° 6" CLR

3.0" O.D., SS, 90° 4.5" CLR

Diverter Y + Bend (2 manifolds to 1 source)

1.5" and 2.0" O.D., SS, 90° 2.5" CLR

Diverter Y (Straight Ends)

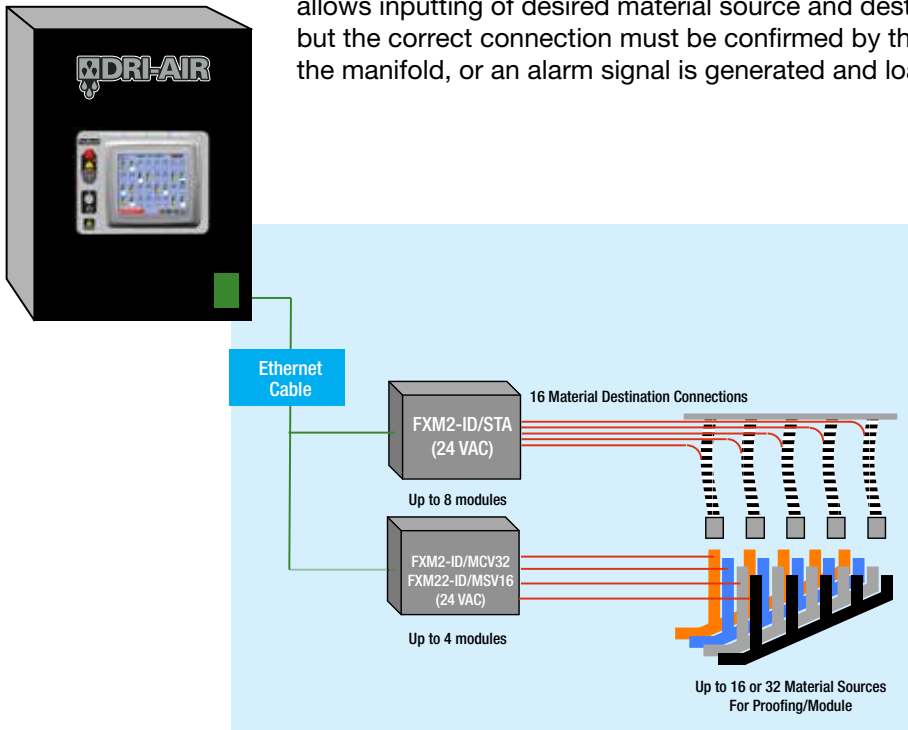
1.5" and 2.0" O.D., SS

Machine Drops: Male connections

1.5", 2.0", 2.5" and 3.0" O.D.

Add Auto ID Option easily with FlexXpand™

Material verification and validation is becoming more important to processors. Auto ID allows inputting of desired material source and destination information into the control, but the correct connection must be confirmed by the (optional) proofing connections at the manifold, or an alarm signal is generated and loading is not permitted.

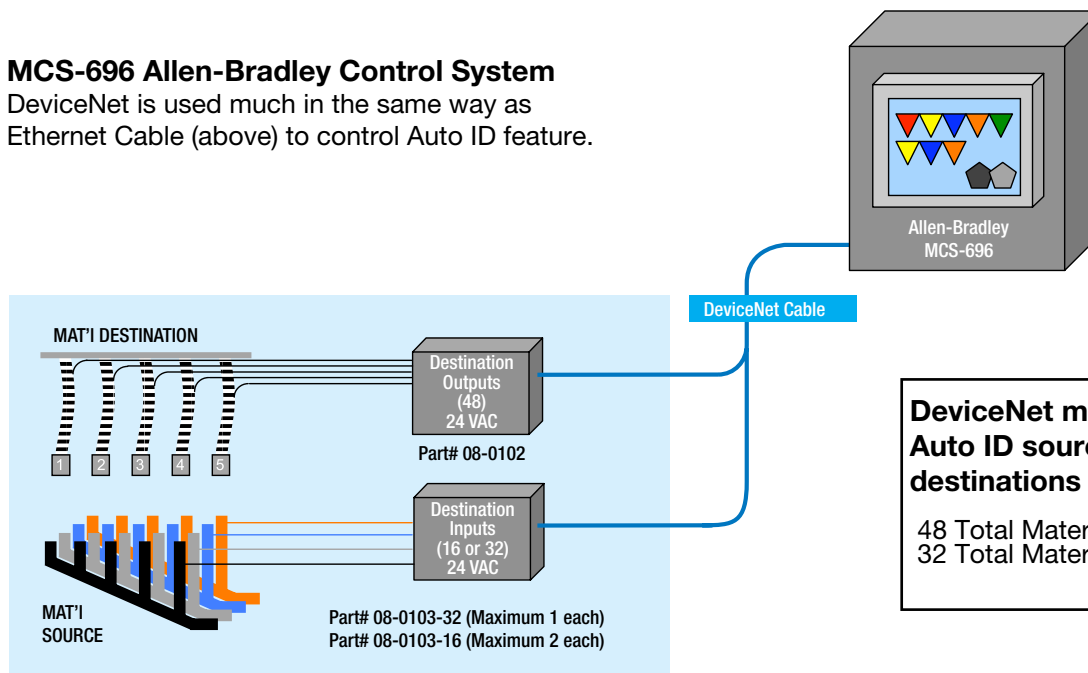


The FlexXpand Controls use FlexXpand modules to increase Auto ID sources and destinations by up to:

- *128 Total Material Destinations
- 73 Total Material Sources
- *Maximum number of stations

MCS-696 Allen-Bradley Control System

DeviceNet is used much in the same way as Ethernet Cable (above) to control Auto ID feature.



DeviceNet modules allow Auto ID sources and destinations of up to :

- 48 Total Material Destinations
- 32 Total Material Sources