

MVP Vacuum Pumps

MaxFlow Vacuum Pumps : 7.5 to 20 Hp (5.6 & 14.9 Kw)

These pumps use an exclusive spiral flow design to produce higher vacuum than standard positive displacement pumps.

The MVP Series pump delivers high efficiency operation with a 12-15% higher air volume and about 15% increase in operating vacuum compared to standard positive displacement pumps. Ideal when processors need additional conveying capacity without the expense of re-plumbing conveying lines.



MVP-10 with Clear View Cannister

Spiral Flow Design, Belt Driven by A 3 Phase Motor

Creates deep vacuum for high throughput and/or long distance conveying.

Starter Panel Disconnect

Circuit breaker* provides local short circuit protection.

Electronic Motor Overload Protection

Phase loss detection, plus quicker trip speed vs. thermal O.L. provides superior motor protection.

Vacuum Breaker Valve and Clear Canister Safety Filter

These standard components provide trouble free operation and long pump life by minimizing pump starts and internal dust contamination.

New! E-Z Oil Drain

Easy open valve and single drain point simplify oil changes.

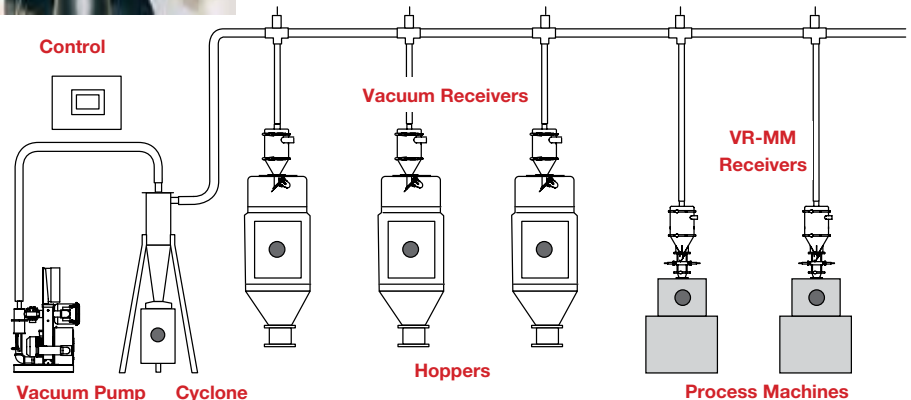


ClearVu canister filter. Know exactly when you need to clean/replace filter element.



Plus:

- 3-phase motor on slide base with magnetic starter
- Fully enclosed belt housing
- Vacuum gauge and relief valve
- Standard pump voltage 460/3/60 (Other voltages optional at no charge)
- 1-Year Warranty



DRI-AIR®
Industries, Inc.

 PROUDLY MADE IN THE USA

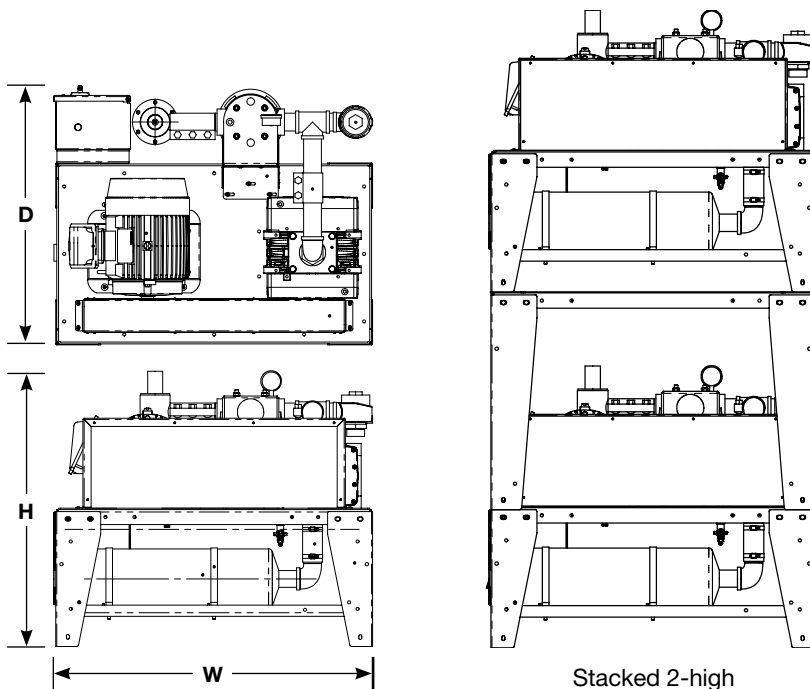
Specifications: (Consult factory for elevations above 2000 feet.)

Model Number	MVP-7.5	MVP-10	MVP-15	MVP-20
Pump power hp	7.5	10	15	20
Inlet O.D.	2"	2.5"	3"	3.5"
Air Volume	125 cfm	200 cfm	295 cfm	390 cfm
Vacuum Relief	13.5 hg	15 hg	15 hg	15 hg
Width	45"	42.5"	49"	49.5"
Depth	34.6"	34.6"	37.5"	37.4"
Height	37"	36.7"	50"	49.75"
Shipping Weight	588 lb.	610 lb.	770 lb.	1050 lb.

Note: Height when stacked 2-high: 7.5 hp = 83", 10 hp = 83.5"

Package Includes:

Pump with Starter Plus Disconnect (Power Isolation Switch, Contactor, Electronic Motor Overload, Circuit Breaker)



Options: (Separate line item on order. See price list 320)

Alternate Control Voltages: 115/1/60 VAC (No Charge)

Alternate Power Voltages: 460/3/60 (Standard)

575/3/60 (No charge) *Includes Fused Disconnect with Thermal Motor Overload Protection*

400/3/50 (No charge)

DeviceNet Cable(s) for Pump: In lieu of standard cable(s) (Available in 24 VDC only)

Accessories: (Separate line item on order and shipped separately. See Price List 321).

Sound Curtain Kit: 3–20 hp



Optional Sound Curtain Kit
Greatly reduces pump noise
and allows easy access

Closed Loop Applications: Consult factory

DeviceNet Cable(s) for DSV: in lieu of standard cables (24VDC only)