

Central Drying Assemblies

CDAB/CDA Series: 60 to 2500 lb. (27kg – 1136 kg)* 1.5 to 65.8 ft³ (42.5 -1863 liters)

CDA2 Series Central Drying Assemblies are used to custom-dry different resins in varying quantities and now include OverDry protection as standard.

A Central Drying System provides desiccated air to multiple units to custom-dry several resins in varying quantities. Each CDA includes a stand-mounted insulated hopper equipped with a Heater/Blower unit.



Assembled Complete for Easy Installation

Each CDA2 includes a hopper on a stand with 24" clearance, a Heater/Blower and control package to assure balanced system airflow.

Uniformly Sized Stand Assemblies

8" Process and return headers and 3" dry air purge headers, are at uniform heights, ready to be connected side-by-side with other CDA2 units.

Well-Equipped Insulated Hoppers

Complete with a slide-gate shut-off, slide-gate drain port, return air pellet screen, large door and sight glass are provided for material level monitoring and easy clean out.

Process Temperature up to 350°F (177°C)

Proper drying temperature for any material.

Standard Temperature Setback Energy Saving Package

Energy savings on whole system and prevents over-drying to protect material properties.

Standard OverDry Protection Built Into Each CDA2

Ensures that moisture sensitive materials, like nylons, are not over dried.

Control From Central Dryer

Optional Gateway Kit provides control for up to 12 CDA2 units.

Plus:

- Main Line Disconnect Switch
- Branch Circuit Protection
- Low Airflow Switch
- Inlet/outlet Dampers
- Lid Bolt Hole Pattern for NOVATEC Loader or Receiver
- Solid State Contactor and Mechanical Safety on Booster Blower and Heater
- 2-Year Warranty

*Based on polycarbonate pellets @ 38 lb./ft.³ bulk density

DRI-AIR®
Industries, Inc.

 PROUDLY MADE IN THE USA

Central Drying Systems - Reduce Energy Usage and Save Space!



Elongated Sight Glass
in each Hopper



A single central dryer supplies -40° dew point air to multiple central drying assemblies. Heater/blower units at each hopper provide custom-heated air to dry multiple materials.



Heater/blower control with standard OverDry protection, dew point indication and optional Moisture Manager



Inlet/outlet Dampers
Control Air Flow to each Hopper



Modular design enables easy installation.



Control locally at CDA2 or from dryer control



Slide Gate Discharge Valve
and Drain Port

Specifications:

MODEL	Hopper Size				Dimensions						**HB MODEL
	*By Weight		By Volume		W		D		H		
	Lb.	kg	ft. ³	Liters	in.	cm	in.	cm	in.	cm	
CDA2-60	60	27	1.5	42.5	40	100	49	125	78	198	HBB-15
CDA2-100	100	45	2.5	70.8	40	100	49	125	78	198	HBB-15
CDA2-150	150	68	3.9	10	40	100	49	125	84	213	HBB-40
CDA2-200	200	90	5	142	50	120	49	125	78	198	HBB-40
CDA2-300	300	68	3.9	110	49	125	50	120	85	216	HBB-60
CDA2-400	400	180	10	284	49	120	49	125	92	234	HBB-60
CDA2-600	600	270	15	425	60	152	49	125	98	249	HBB-100
CDA2-800	800	360	20	567	60	152	49	125	106	269	HBB-150
CDAB-1000	1000	450	25	709	60	152	49	125	109	277	HBB-150
CDA2-1500	1500	680	39.5	1082	68	172	65	165	129	328	HB-250
CDA2-2000	2000	900	52.6	1490	76	193	65	165	134	340	HB-300
CDA2-2500	2500	1140	65.8	1863	78	198	67	170	149	379	HB-400

*Based on polycarbonate pellets @ 38 lb./ft³.

**Standard Voltage: 460/3/60

Note: 60 through 150 lb. hoppers are stainless steel; all others are carbon steel.

Accessories:

(Show as separate line item on order-shipped separately. See Price List # 121)

Manifold End Loop Kit:

(Includes U-duct with Damper and Couplers)

Options:

Dew Point Indication

Moisture Manager Dewpoint Control:

Add-MM after model number

Control from Central Dryer:

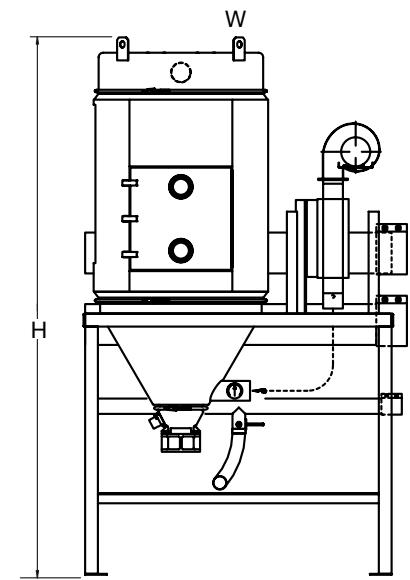
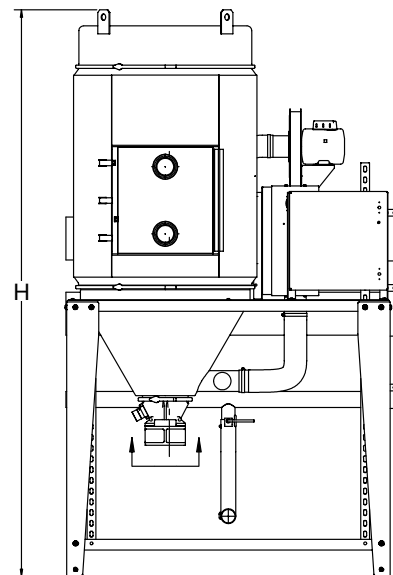
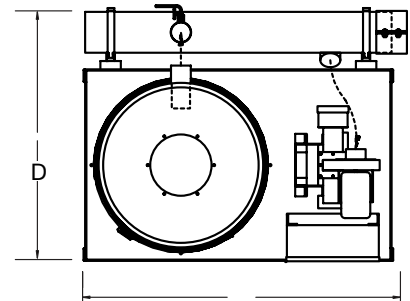
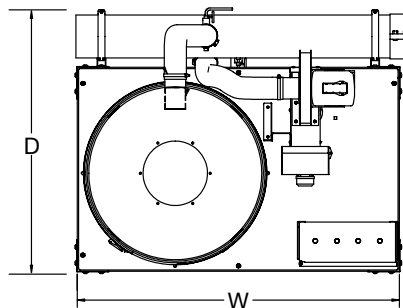
Provides gateway Control of up to 12 CDA2 hoppers from central drying control

Voltage Options in Lieu of 460/3/60:

(Show as separate line item on order.

415/3/50 VAC (No Charge) 575/3/60 VAC

(See price list #121)



For CDA2-60 through CDA2-1000
(Bolted frame construction)

For CDA2-1500 through CDA2-2500
(Welded frame construction available
in all sizes upon request)