

SVP Silencer Pumps operate at under 80 dBa.

Provides powerful vacuum to convey free-flowing pellets, powders and regrind in single and multi-receiver systems. Each vacuum pump is lubricated, tuned to deliver optimum vacuum and shipped fully assembled. An industrial discharge silencer is included.



SVP

Lower Noise Operation

Eliminates the necessity for a sound enclosure.

Rotary Lobe Blower, Belt Driven by a 3 Phase Motor

Creates deep vacuum for high throughput and/or long distance conveying.

Electronic Motor Overload Protection

Phase loss detection, plus quicker trip speed vs. thermal O.L. provides superior motor protection.

Starter Panel Disconnect

Circuit breaker provides local short circuit protection.

Plus:

- UL, CSA and CE* compatible starter components
- Fully enclosed belt housing
- Vacuum gauge and relief valve
- Standard pump voltage 460/3/60 (400V and 575V optional)
- Standard control voltage 24 VDC (115V optional)
- 1-Year warranty

Vacuum Breaker Valve - Standard

Provides trouble free operation and long pump life by minimizing pump starts.

Clear Canister Safety Filter

Dust and fines are clearly visible so there is no doubt when canister needs to be emptied.

Smaller Footprint

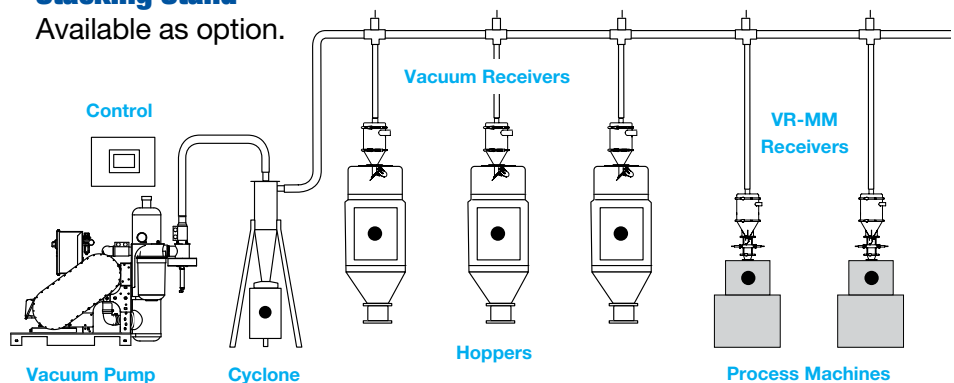
35% Lower footprint than standard VPDB.

Stacking Stand

Available as option.



Clear dust canister shows filter status at a glance



Specifications: (Consult factory for elevations above 3000 feet.)

Model Number	SVP-3	SVP-5	SVP-10
Pump power	3 hp	5 hp	10 hp
Inlet O.D.	1.5"	2"	2.5
Air Volume	55 cfm	100 cfm	170 cfm
Vacuum Relief	12 hg	12.5 hg	12.5 hg
Width	20.25"	20.25"	20.25"
Depth	53.25"	53.25"	53.25"
Height	42.25"	42.25"	44"
Shipping Weight	350 lb.	425 lb.	588

Standard Control Voltage: 24 VDC Standard motor voltage 460/3/60

Basic Package Includes:

Pump with Starter Plus Disconnect
(Power Isolation Switch, Contactor,
Electronic Motor Overload, Circuit Breaker)

Options: (Separate line item on order. See price list 320)

Alternate Control Voltages:

115/1/60 VAC (No Charge)

Alternate Power Voltages:

460/3/60 (Standard)

575/3/60 (No charge) - *Includes Fused Disconnect with Thermal Motor Overload Protection*

400/3/50 (No charge)

DeviceNet Cable(s) for Pump:

In lieu of standard cable(s) (Available in 24 VDC only)

Accessories:

(Separate line item on order and shipped separately. See price list 361)

Stacking Stand:

DeviceNet Cable for DSV:

(in lieu of standard cables -24VDC only)

DSV Discharge Selection Valve for Dry Air Conveying:

EPV valve with connection stub to pump for 115 VAC or 24 VDC for line diameters of 1.5", 2", 2.5".



DSV Discharge Selection Valve

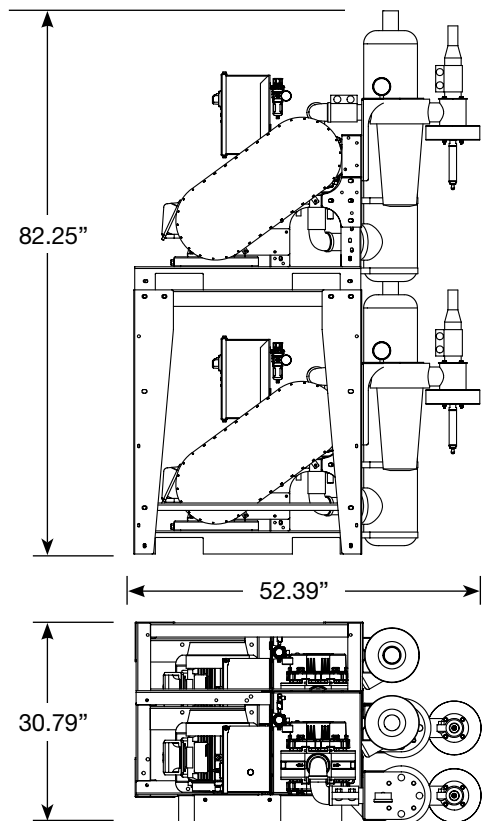
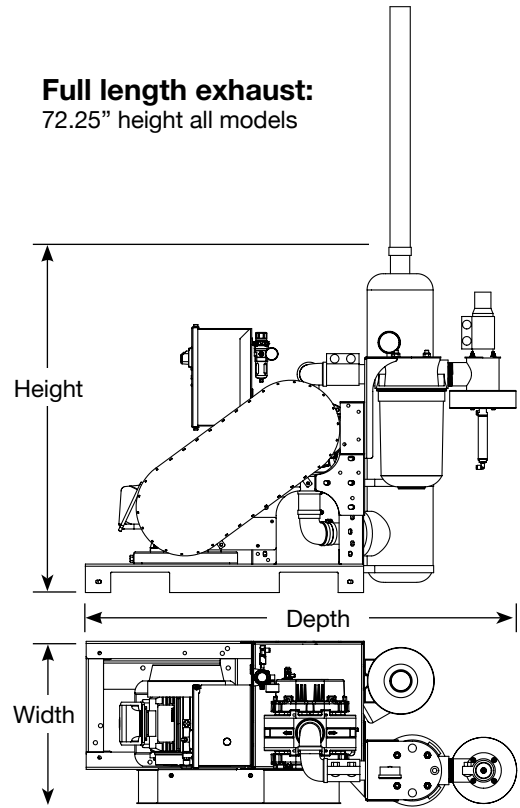
CLR Closed Loop Valve with Relief Vent:

Provides pressure relief in a closed loop conveying system for line diameters of 1.5", 2", 2.5", 3".



CLR Closed Loop Valve with Relief Vent

Full length exhaust:
72.25" height all models



Above dimensions for 3 HP or 5 HP pumps stacked 2 - high. Add 2" to height for 10 HP