

Vacuum Receivers

VR Series: 1.5 to 114 lb. (0.7 to 52 kg) Capacity* *Based on 38 lb./ft.³ material density

VR Series Receivers provide transfer of plastic pellets and regrind using centralized vacuum pumps and controls.

Standard models are made for flange mounting to existing bins or hoppers. A vacuum "T" sequencing valve, purchased separately, is required for each receiver when multiples are used in a system.

Optional pulsed air blowback package eliminates regrind screen clogging or erratic material discharge.



Stainless Steel Body

Stainless steel body provides a scratch-resistant, non-ferrous material contact surface.

Modular Design, Quick-Release Clamps

Easy access for quick cleanout and material changeover – no tools required.

Material Inlet Deflector Check Valve

Neoprene gasket provides positive seal. No external material line valve needed!

Plus:

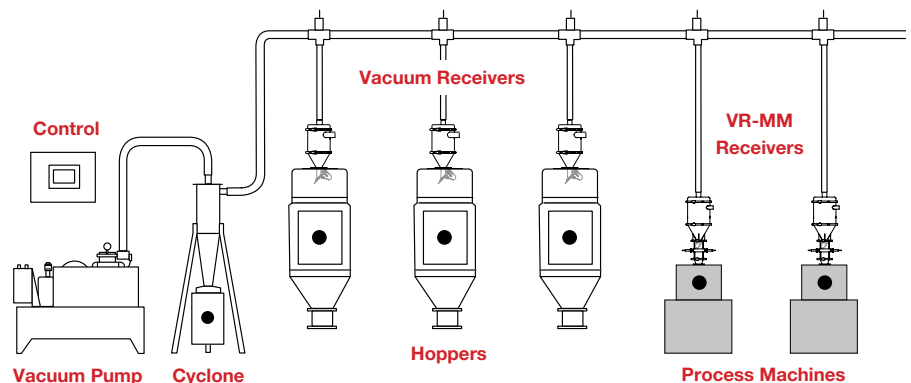
- Reinforced 20 mesh stainless steel pellet screen
- Inlet/outlet diameters of 1.5" to 4" (3.8 – 10.16 cm)
- 24 VDC or 115 VAC control voltage
- 2 Year Warranty

Tangential Material Inlet

Provides cyclonic air/material separation which minimizes material degradation.

Dump Valve With Integrated Level Switch

Included on standard and blowback models



DRI-AIR[®]
Industries, Inc.

 PROUDLY MADE IN THE USA

Many popular features not found on other receivers



Heavy duty stainless steel construction. Stainless steel band clamp with safety latch provides easy access (requires no tools).



Custom molded neoprene gasket on full-flow dump throat assures tight seal and no loss of vacuum. Unique design keeps resin from contacting gasket surface.



Tangential inlet provides cyclonic flow minimizing material degradation. Internal flapper with neoprene seal allows common line system use.



Expanded aluminum supports 20 mesh stainless steel fines filter screen.



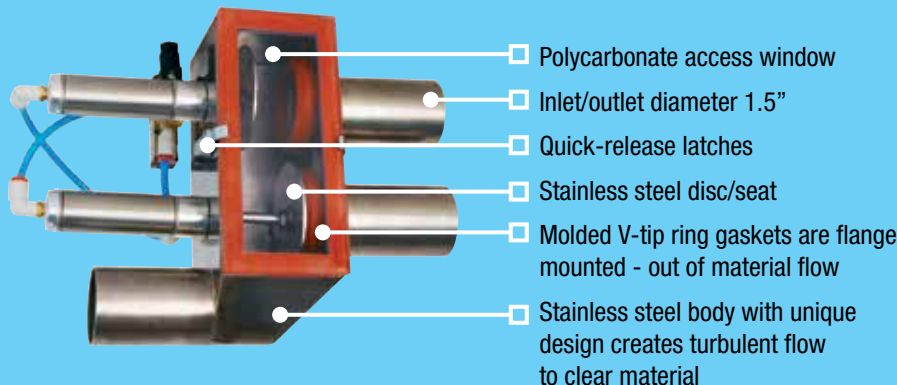
Machine mount models are supplied with a height-adjustable photo eye level sensor, base plate adapter, dump valve and quick disconnect clamps for easy clean out.

Popular Accessories for Vacuum Receivers

External proportioning valve provides proportioning/layering of materials when used with VR Receivers. Optional Mini PCL Control may be programmed for proportioning. Shipped with coupler. Choose 24VDC or 115 VAC. See separate data sheet.



Vacuum receivers can be mounted on machine hopper assemblies available in multiple sizes. See separate data sheet.



Specifications

Model	Configuration	Volume		Capacity*		Line Size	
		ft. ³	liters	lb.	kg	in.	mm
VR-5	Standard	1/25	1.1	1.5	0.7	1.5, 2, 2.5	38, 50, 64
VR-5-B	Blowback †						
VR-5-MM	Machine Mount †						
VR-8	Standard	1/5	5.7	8	3.6	1.5, 2, 2.5	38, 50, 64
VR-8-B	Blowback †						
VR-8-MM	Machine Mount †						
VR-12	Standard	1/3	9	12	5.4	1.5, 2, 2.5, 3.0	38, 50, 64, 76
VR-12-B	Blowback †						
VR-12-MM	Machine Mount †						
VR-19	Standard	1/2	14	19	8.6	1.5, 2, 2.5, 3.0	38, 50, 64, 76
VR-19-B	Blowback †						
VR-19-MM	Machine Mount †						
VR-38	Standard	1	28	38	17.2	1.5, 2, 2.5, 3.0	38, 50, 64, 76
VR-38-B	Blowback †						
VR-38-MM	Machine Mount †						
VR-76	Standard	2	56	76	34.5	2, 2.5, 3, 4	50, 64, 76, 102
VR-76-B	Blowback †						
VR-114	Standard	3	84	114	51.7	2, 2.5, 3, 4	50, 64, 76, 102
VR-114-B	Blowback †						

* Resin capacity based on 38 lb./ft³ bulk density.

† 24VDC standard – 115V is a no charge option.

Accessories:

(Separate line item on order and shipped separately)

Pulsed Blowback Control:

Mini-PLC control mounts near receiver and generates adjustable blowback signals when the central control is not equipped with the blowback feature.

External Proportioning Valve with Coupler:

Available for all receivers. (See separate data sheet)

Proportioning Valve Control:

Mini-PLC control mounts near receiver and generates adjustable proportioning signals when the central control is not equipped with proportioning capability. Utilizes the receiver's load signal.



Retrofit Glass Hopper Sizes for Existing MM Units: (In lieu of 2 lb.)

Field conversion kit includes base, glass, top adapter plate and discharge valve.

8 lb., 12 lb. or 16 lb. Glass

Station "T" Sequencing Valve:

Required for all receivers. (See separate data sheet)

Level Switch, Capacitance:

30mm diameter, 2m cable - Available for all receivers.

Options:

(Separate line item on order.)

Must Specify Glass Hopper Size for -MM Units:

2, 8, 12 or 16 lb. Glass (Must Specify)

DeviceNet Cables for All Models:

(in lieu of standard cables, 24VDC only)

High Heat Packages for Discharge, Filter Assemblies and Inlet Check Valve:

(For temps above 250°F)

Custom Drilling of MM Flange:

(Standard base flange is blank for customer drilling.)

Extended Wear Package for VR-5, through VR-114 Models

Includes:

- Removable ceramic lined inlet (N/A on VR-5 & VR-8)
- Ceramic coated inlet flapper check valve
- Removable ceramic coated impact wear plate
- SS Discharge flapper

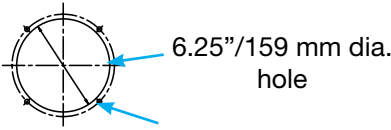
Ceramic lined inlet diameters available

- VR-5, VR-12 and VR-19 (1.5"-2.5")
- VR-38 and VR-76 (1.5" - 3")
- VR-114 (2.5" - 4")

Dimensions & Weights

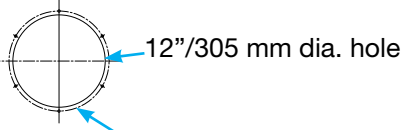
Hopper Loading Packages										
Part Number	A		B		C		D		Shipping Wgt.	
	in.	cm	in.	cm	in.	cm	in.	cm	lb.	kg
VR-5	18	46	11	27	4.3	11	6	15.2	25	11
VR-8	29	74	22	55	13.2	33.5	6	15.2	29	13
VR-12	24	62	18	45	10.6	22	10	25	40	18
VR-19	28	72	22	55	14.6	37	10	25	45	21
VR-38	34	86	25	63	17.7	45	16	41	55	25
VR-76	43	109	35	88	27	69	16	41	65	30
VR-114	42	107	34	87	25	64	24	61	120	55

VR-5, VR-8, VR-12 & VR-19
Mounting Pattern



4 each 0.3125" / 8 mm dia. holes
equally spaced on a
6.875" / 175 mm dia. B.C.

VR-38, VR-76 & VR-114
Mounting Pattern

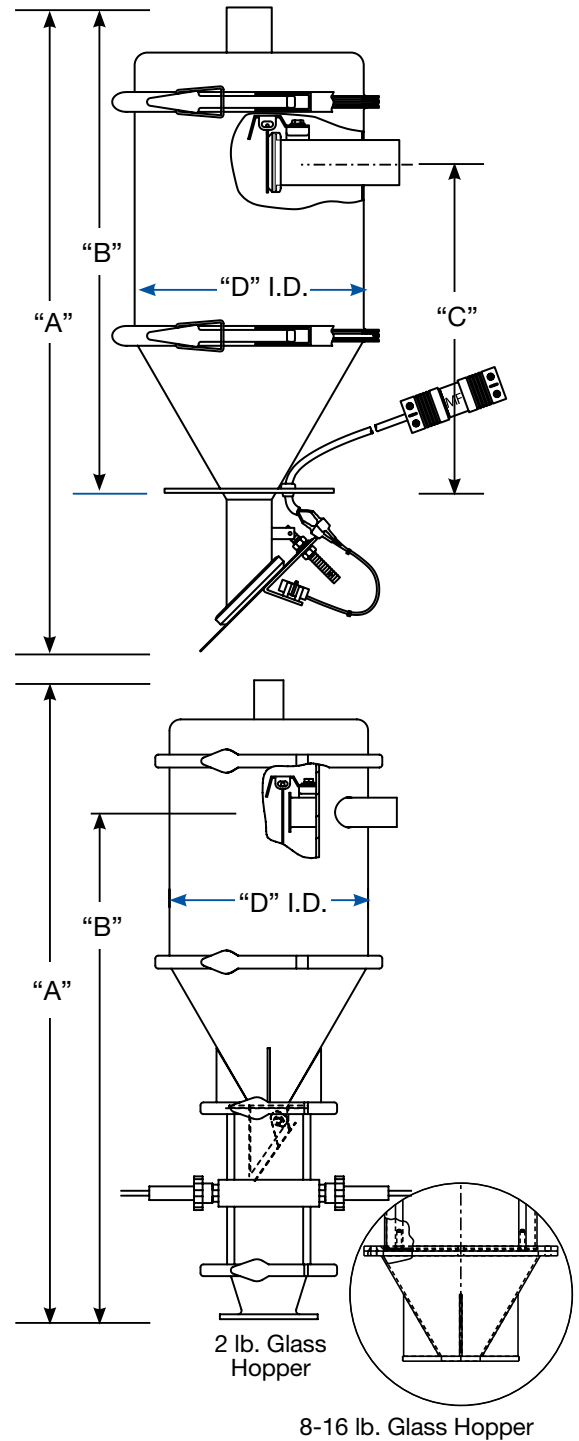
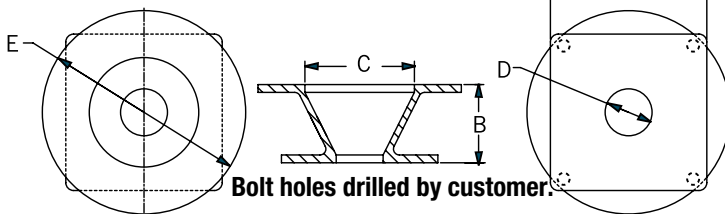


6 each 0.3125" / 8 mm dia. holes
equally spaced on a
13" / 330 mm dia. B.C.

Machine Mount Packages (2 lb. Glass)										
Part Number	A		B		D		Shipping Wgt.			
	in.	cm	in.	cm	in.	cm	lb.	kg		
VR-5 MM	22	56	15.6	39.6	6	15.2	30	14		
VR-8 MM	33	84	24.5	62	6	15.2	34	16		
VR-12 MM	28.6	72.6	22	56	10	25	45	21		
VR-19 MM	32.6	82.8	26	66	10	25	50	23		
VR-38-MM	37.9	92.3	30.7	78	16	4.6	60	28		

NOTE: 8 lb. glass: add 3.7" to A & B, 12 lb. glass: add 7.7" to A & B,
16 lb. glass: add 10.7" to A & B.

Machine Mount Adapter
(Included with MM models)



Machine Mount Adapter Dimensions											
Glass Size lb./kg	Model	A		B		C		D		E	
		in.	cm	in.	cm	in.	cm	in.	cm	in.	cm
2/0.9	VR-5, -8, -12, -19	5	12.7	2.5	6.4	3.5	8.9	1.5	3.8	6.5	16.5
2/0.9	VR-MM-F65*	6.5	16.5	2.5	6.4	3.5	8.9	2.25	5.7	6.5	16.5
Varies	VR-MM-8, -12, -16**	6	15.2	5.7	14.5	8	20.3	2	5.1	10	29.2

* Optional 2 lb. Glass Adapter Dimensions

** Optional Large Glass Adapter Dimensions