

New CAL Compressed Air Loader

Eliminate press-mounted hoppers and improve plant safety

CAL loaders are ideal for quick material changes

System features

Dri-Air's new second generation compressed air loader expands upon the popular DAC loader with new features including:

- Replaceable wear plate
- One touch sensor for easy set ups
- Removable stainless steel cyclone

Mounting bases are the same as the DAC loader for compatibility with existing loaders



CAL comes complete with:

Wands for gaylords and dryer, control box with regulator and filter, 10', 1.25" material hose, sight glass, proximity sensor and mounting base

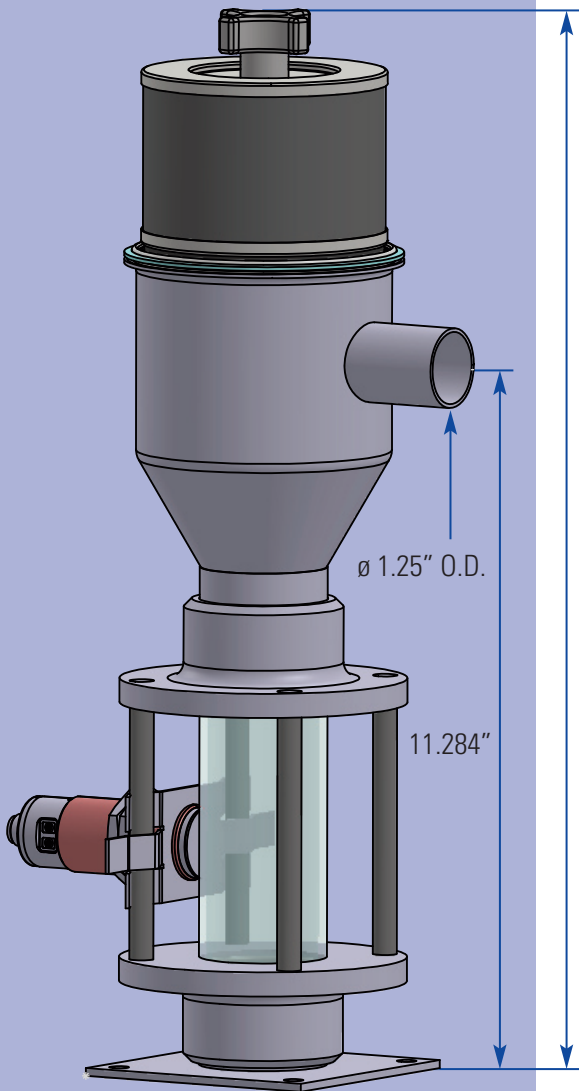
- Powered by shop air: the CAL loader provides you with a quiet, reliable trouble free loading solution
- Excellent for loading applications such as:
 - Material loading from Dri-Air PD systems
 - As a stand alone unit pulling from bags, gaylords



Dri-Air Model	Application	Sight Glass Capacity	Mounting Base
CAL-1	Molding Machine	8 oz	6" x 6"
CAL-2	Drying Hopper	8 oz	4"sq x 3.25"sq holes

CAL Parts List

CAL dimensions



Quantity	Part Number	Description
10 ft.	81444	HOSE 1.25" CLEAR (TIGERFLEX)
1	81546	LINE VAC 1.25" (TRANSECTOR FOR CAL)
6	82844	O RING 2 x 2-3/16" x 3/32" B -136 BUNA FOR SLIP-FIT BASES
4	83028	ROD SUPPORT 4" LONG
1	83029	TUBE BUTYRATE 2' X 4.5"
10 ft.	83109	TUBING 3/8" NYLON BLACK (KANBAN VMI / FOR BB + CAL)
2	83640	HOUSING SLIP-FIT ALU (FOR DAC & CAL)
1	83926	BASE SLIP-FIT HPR MNT (3.25"SQ BHP - 2"CTR)
1	83936	WAND CAL LONG 1.25" SS (FOR GAYLORD USE w 81546)
1	83937	WAND CAL SHORT 1.25" SS (FOR TAKEOFF USE w 81546)
1	83955	BRACKET PROX DAC (FOR DAC, CAL, + ADJ FILL)
1	85532	AC SENSOR AUTOTUNE
1	89713	BODY CAL 1.25" (FOR CAL RECEIVER 89720)
1	89714	COVER TOP WITH SCREEN CAL (FOR CAL RECEIVER 89720)
1	89717	GASKET CAL FILTER
1	89718	MATERIAL DEFLECTOR CAL (FOR CAL RECEIVER 89720)
1	89728	KNOB 1/4-20 WINGNUT (FOR CAL REVEIVER 89720)
1	89729	FILTER CAL (FOR CAL RECEIVER 89720)
1	89730	GASKET EDGE JACOB EPM (FOR CAL RECEIVER 89720)
1	89732	CONTROL BOX CAL 110V (FOR CAL LOADER)
1	89735	CONTROL BOX CAL 220V (FOR CAL LOADER)

