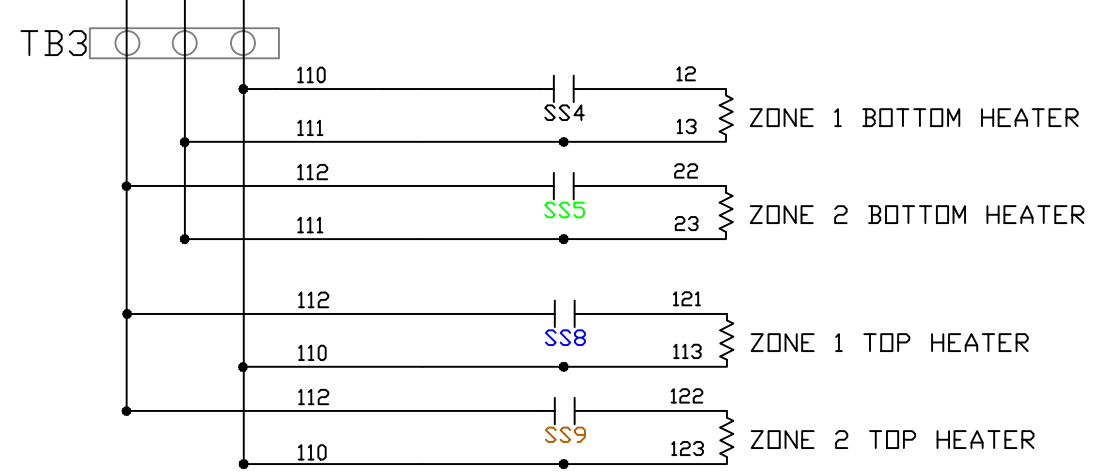
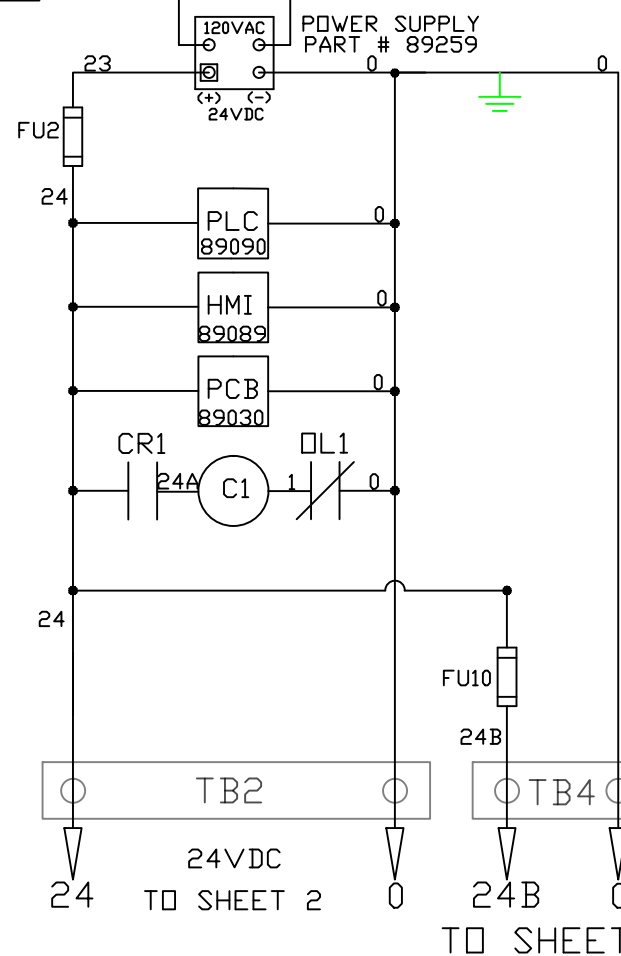
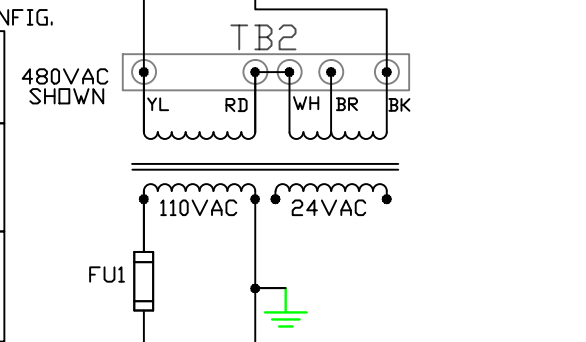


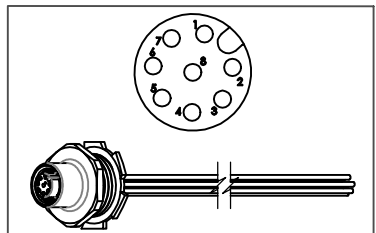
TRANSFORMER CONFIG.

TRANS 480VAC	100-YL	102-BK	JUMP-RD/WH
TRANS 240VAC	100-YL	102-BK	JUMP-YL/WH
			JUMP-RD/BL
TRANS 208VAC	100-BR	102-BK	JUMP-YL/WH
			JUMP-RD/BL



FU/CB#	SIZE	DESCRIPTION
CB1	SEE TAG	MAIN POWER
CB2	1 AMP	TRANS PRIMARY
FU2	1 AMP	PS 24 VDC

SYM	DESCRIPTION
C	CONTACTOR
M	MOTOR
DL	OVERLOAD
FU	FUSE
CB	CIRCUIT BREAKER
PS	24 VDC POWER SUPPLY
TS	TOGGLE SWITCH
CR	CONTROL RELAY
PB	PUSH BUTTON
PRX	PROXIMITY SWITCH
PSW	PRESSURE SWITCH
SDL	SOLENOID
LV	LOAD VALVE
ZV	ZONE VALVE
SS	SOLID STATE RELAY
L	LAMP
FV	FEED VALVE
HV	HOPPER VALVE

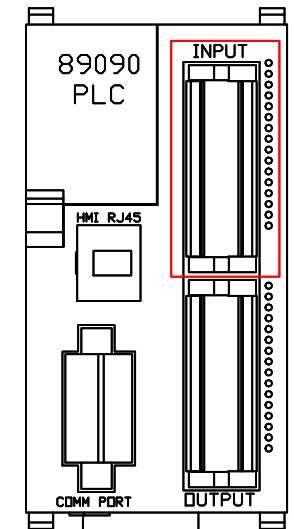
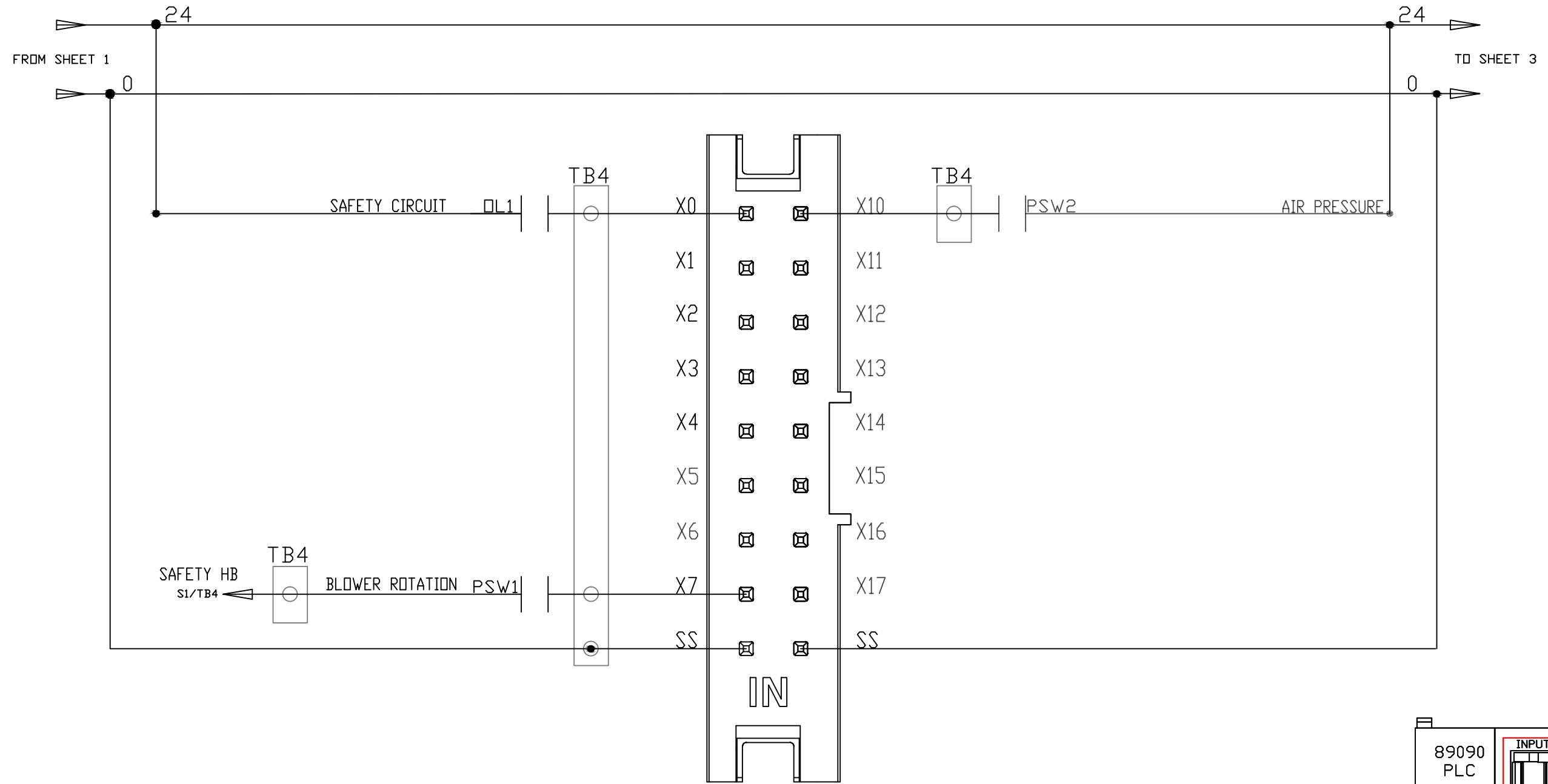


PIN #	COLOR	DESCRIPTION
1	WHITE	0 VDC
2	BROWN	SAFETY
3	GREEN	GROUND
4	YELLOW	SS6 HOPPER 1 HEATER
5	GRAY	HV1 HOPPER 1 VALVE
6	PINK	SS7 HOPPER 2 HEATER
7	BLUE	24 VDC POWER
8	RED	HV2 HOPPER 2 VALVE

This print property of Dri-Air Industries Inc. The information is submitted in confidence.

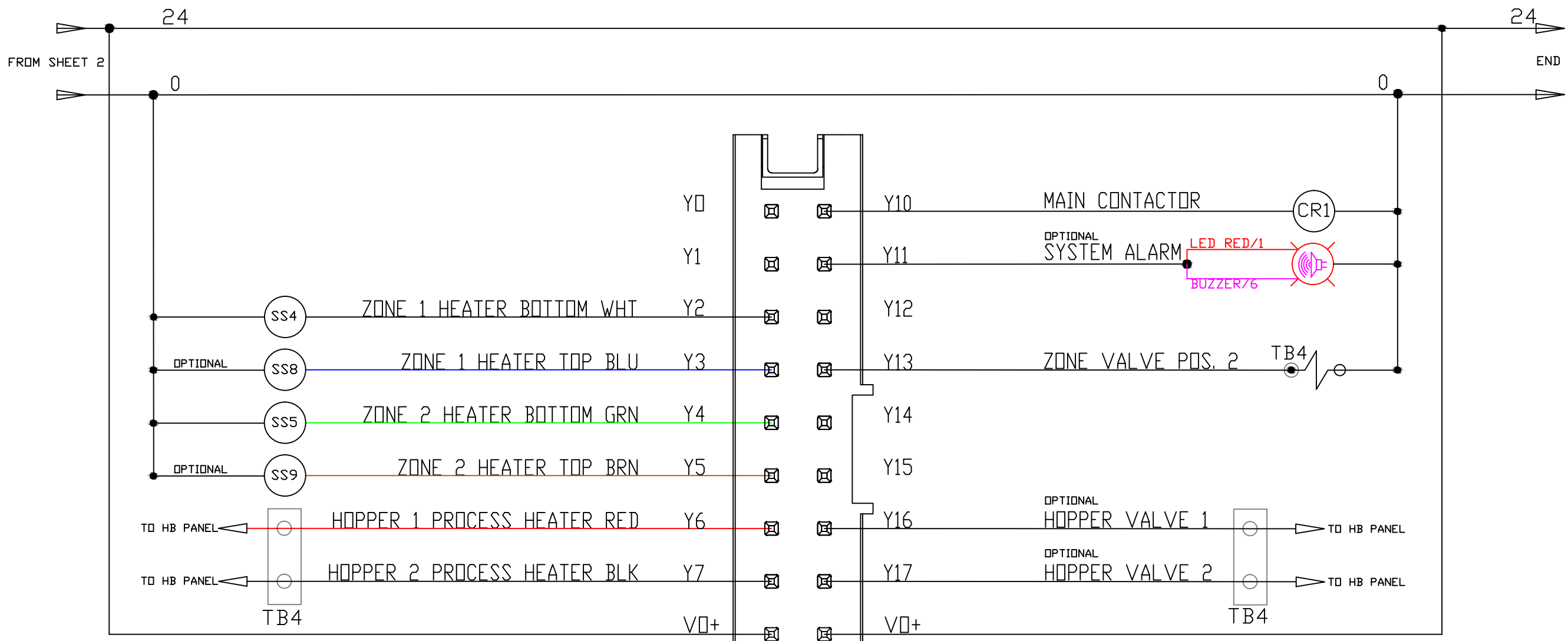
DRI-AIR INDUSTRIES, INC.

TOLERANCES UNLESS OTHERWISE SPECIFIED	FRACTIONS ±1/32	ANGLES ±30'	DECIMALS .XX±0.05	REMOVE ALL BURRS AND SHARP CORNERS DO NOT SCALE DWG.
DRAWN KLV/ANA	CHK'D JS	APP'D JS	DATE 2/23/23	SCALE N/A
TITLE STC CONTROL 480 VOLT 3Ø HP4-X 150-300 PDII				
FINISH	SHEET 1 OF 5	REV	DRAWING NO. STC HP4X150-300 PDII	SIZE D



This print property of Dri-Air Industries Inc. The information is submitted in confidence.

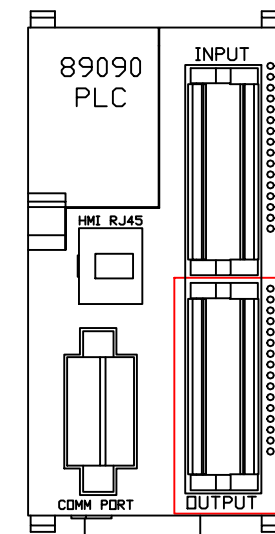
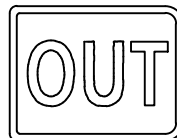
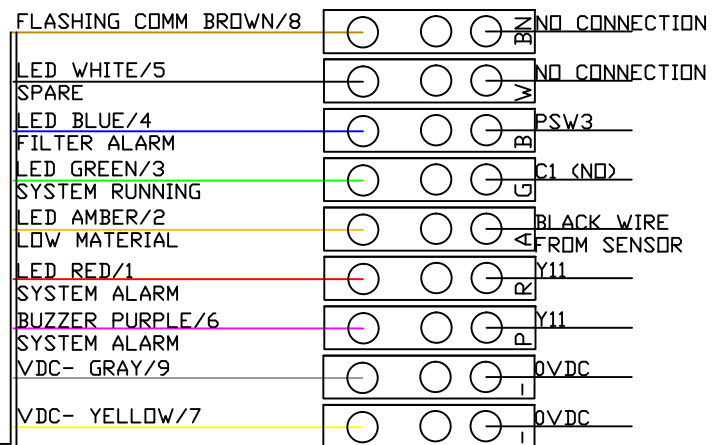
TOLERANCES UNLESS OTHERWISE SPECIFIED		DRI-AIR INDUSTRIES, INC.			
FRACTIONS	±1/32	DRAWN	CHK'D	APP'D	DATE
ANGLES	±30'	KL	VANA	JS	2/23/23
DECIMALS	.X±.050	TITLE		SCALE	N/A
XX±.015 XXX±.005		STC CONTROL			
REMOVE ALL BURRS AND SHARP CORNERS DO NOT SCALE DWG.		480 VOLT 3Ø			
FINISH		SHEET	REV	DRAWING NO.	SIZE
		2 OF 5		STC HP4X150-300 PDII	D



ALARM STACK DETAIL PNP

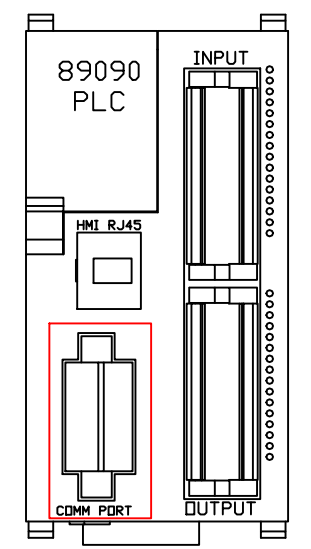
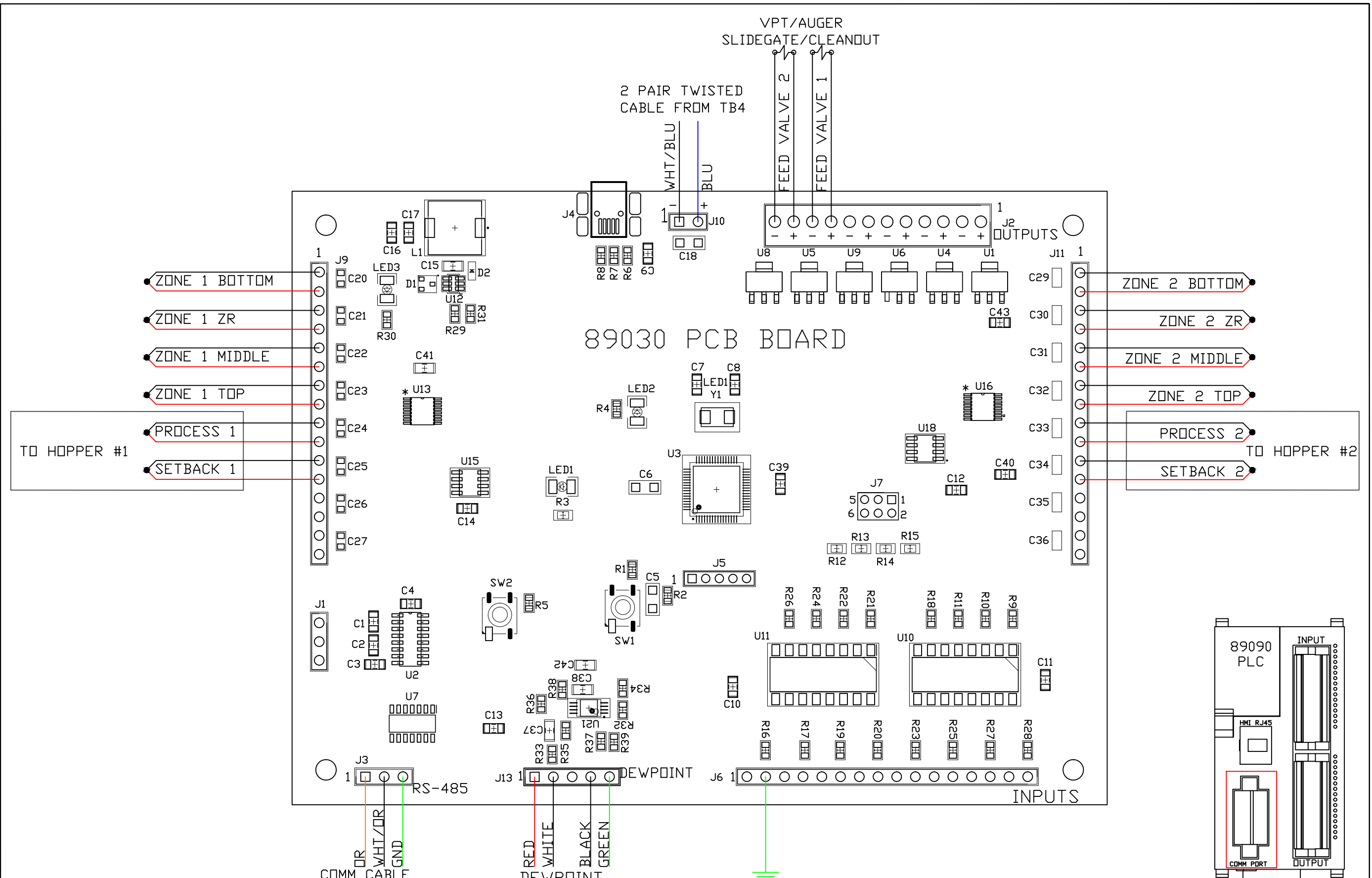
- BUZZER 89127
- LED WHITE 89132
- LED BLUE 89131
- LED GREEN 89130
- LED AMBER 89129
- LED RED 89128
- BASE 89126

BUZZER DIP SW SETTINGS



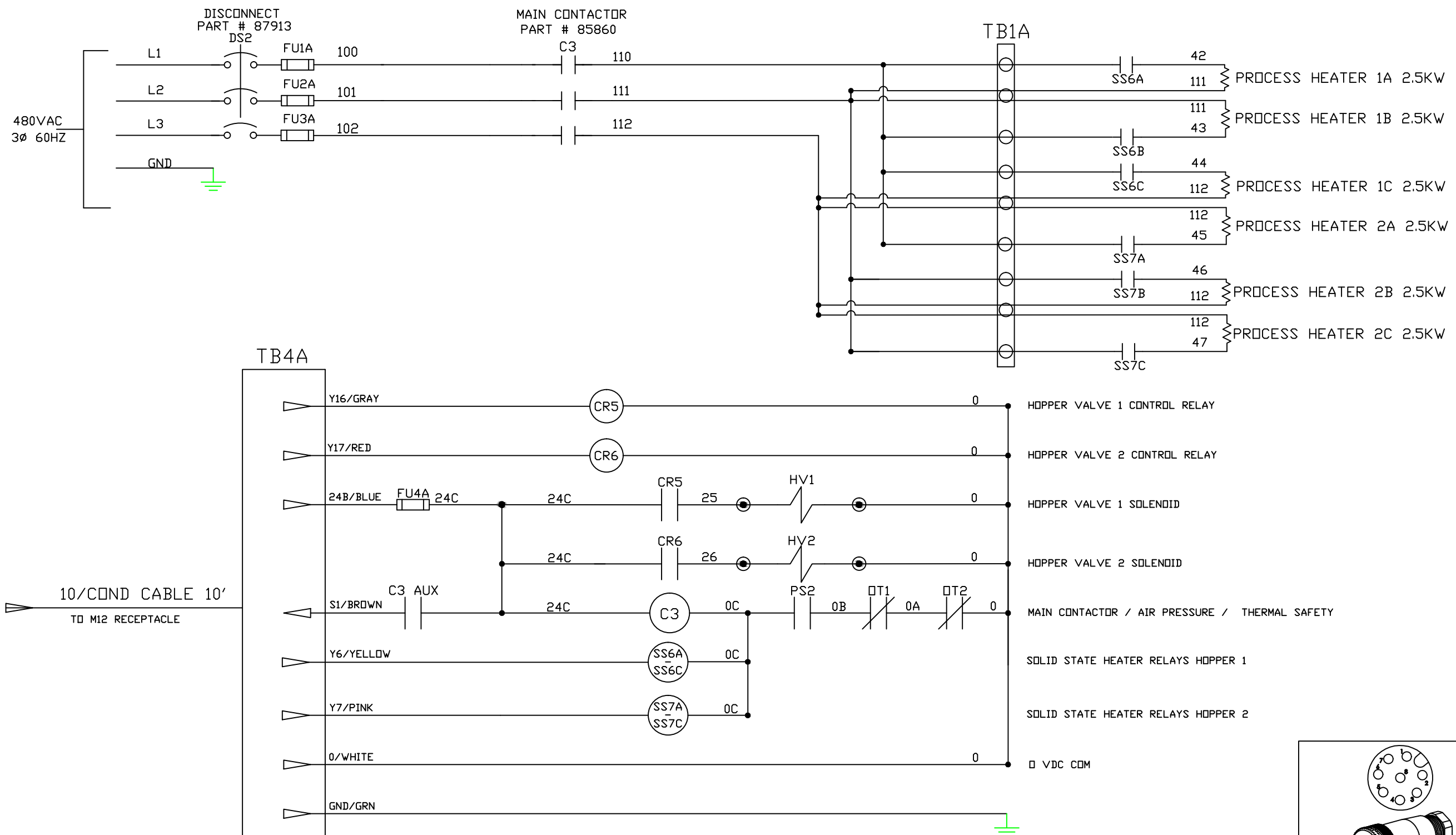
This print property of Dri-Air Industries Inc. The information is submitted in confidence.

TOLERANCES UNLESS OTHERWISE SPECIFIED						
FRACTIONS	±1/32	DRAWN	CHK'D	APP'D	DATE	SCALE
ANGLES	±30'	KL	VANA	JS	2/23/23	N/A
DECIMALS	±.050	TITLE STC CONTROL 480 VOLT 3Ø HP4-X 150-300 PDII				
FINISH		SHEET	REV	DRAWING NO.	SIZE	
		3 OF 5		STC HP4X150-300 PDII	D	



This print property of Dri-Air Industries Inc. The information is submitted in confidence.

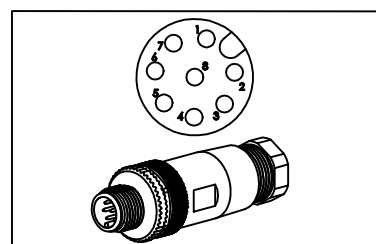
TOLERANCES UNLESS OTHERWISE SPECIFIED FRACTIONS ±1/32 ANGLES ±30° DECIMALS .XX±.015 .XXX±.005 REMOVE ALL BURRS AND SHARP CORNERS DO NOT SCALE DWG.	DRI-AIR INDUSTRIES, INC.				
	DRAWN	CHK'D	APP'D	DATE	SCALE
	KL VANA	JS	2/23/23	N/A	
TITLE STC CONTROL 480 VOLT 3Ø HP4-X 150-300 PDII					
FINISH	SHEET	REV	DRAWING NO.	SIZE	
	4 DF 5		STC HP4X150-300 PDII	D	



FU/CB#	SIZE	DESCRIPTION
FU1A	25 AMP	MAIN POWER
FU2A	25 AMP	MAIN POWER
FU3A	25 AMP	MAIN POWER
FU4A	2 AMP	24VDC SHORT CIRCUIT CURRENT RATING
SCCR	100KA	

SYM	DESCRIPTION
C	CONTACTOR
M	MOTOR
OL	OVERLOAD
FU	FUSE
CB	CIRCUIT BREAKER
PS	24 VDC POWER SUPPLY
TB	TERMINAL BLOCK
CR	CONTROL RELAY
DS	DISCONNECT SWITCH
PRX	PROXIMITY SWITCH
PSW	PRESSURE SWITCH
SDL	SOLENOID
LV	LOAD VALVE
ZV	ZONE VALVE
SS	SOLID STATE RELAY
L	LAMP
OT	THERMAL SWITCH
HV	HOPPER VALVE

HOPPER STAND WIRING SCHEMATIC



PIN #	COLOR	DESCRIPTION
1	WHITE	0 VDC
2	BROWN	SAFETY
3	GREEN	GROUND
4	YELLOW	SS6 HOPPER 1 HEATER
5	GRAY	HV1 HOPPER 1 VALVE
6	PINK	SS7 HOPPER 2 HEATER
7	BLUE	24 VDC POWER
8	RED	HV2 HOPPER 2 VALVE

This print property of Dri-Air Industries Inc. The information is submitted in confidence.

DRI-AIR INDUSTRIES, INC.

TOLERANCES UNLESS OTHERWISE SPECIFIED	FRACTIONS ±1/32	ANGLES ±30'	DECIMALS .XX±0.05 XXX±0.005
REMOVE ALL BURRS AND SHARP CORNERS DO NOT SCALE DWG.	FINISH	SHEET 5 OF 5	REV

DRAWN KLV/ANA	CHK'D JS	APP'D JS	DATE 2/23/23	SCALE N/A
TITLE STC CONTROL 480 VOLT 3Ø HP4-X 150-300 PDII				
DRAWING NO. STC HP4X150-300 PDII		SIZE D		