

FU/CB#	SIZE	DESCRIPTION
CB1	SEE TAG	MAIN POWER
CB2	1 AMP	TRANS PRIMARY
FU1	3 AMP	TRANS SECONDARY
FU2	3 AMP	PS 24 VDC

SYN	DESCRIPTION
C	CONTACTOR
H	MOTOR
DL	OVERLOAD
FU	FUSE
CB	CIRCUIT BREAKER
PS	24 VDC POWER SUPPLY
TS	THERMISTOR SWITCH
CR	CONTROL RELAY
PB	PUSH BUTTON
PRX	PROXIMITY SWITCH
PSV	PRESSURE SWITCH
SDL	SOLENOID
LV	LOAD VALVE
ZV	ZONE VALVE
SS	SOLID STATE RELAY
L	LAMP
FV	FEED VALVE
HV	HOPPER VALVE

This print property of DRI-Air Industries Inc. The information is submitted in confidence.

DRI-AIR INDUSTRIES, INC.

TOLERANCES UNLESS OTHERWISE SPECIFIED: FRACTIONS 41/32 ANGLES ±30° DECIMALS 0.005

REMOVE ALL BURRS AND SHARP EDGES DO NOT SCALE DWG.

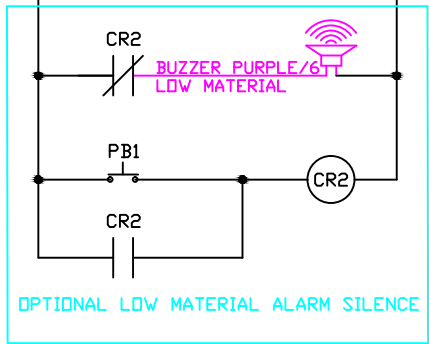
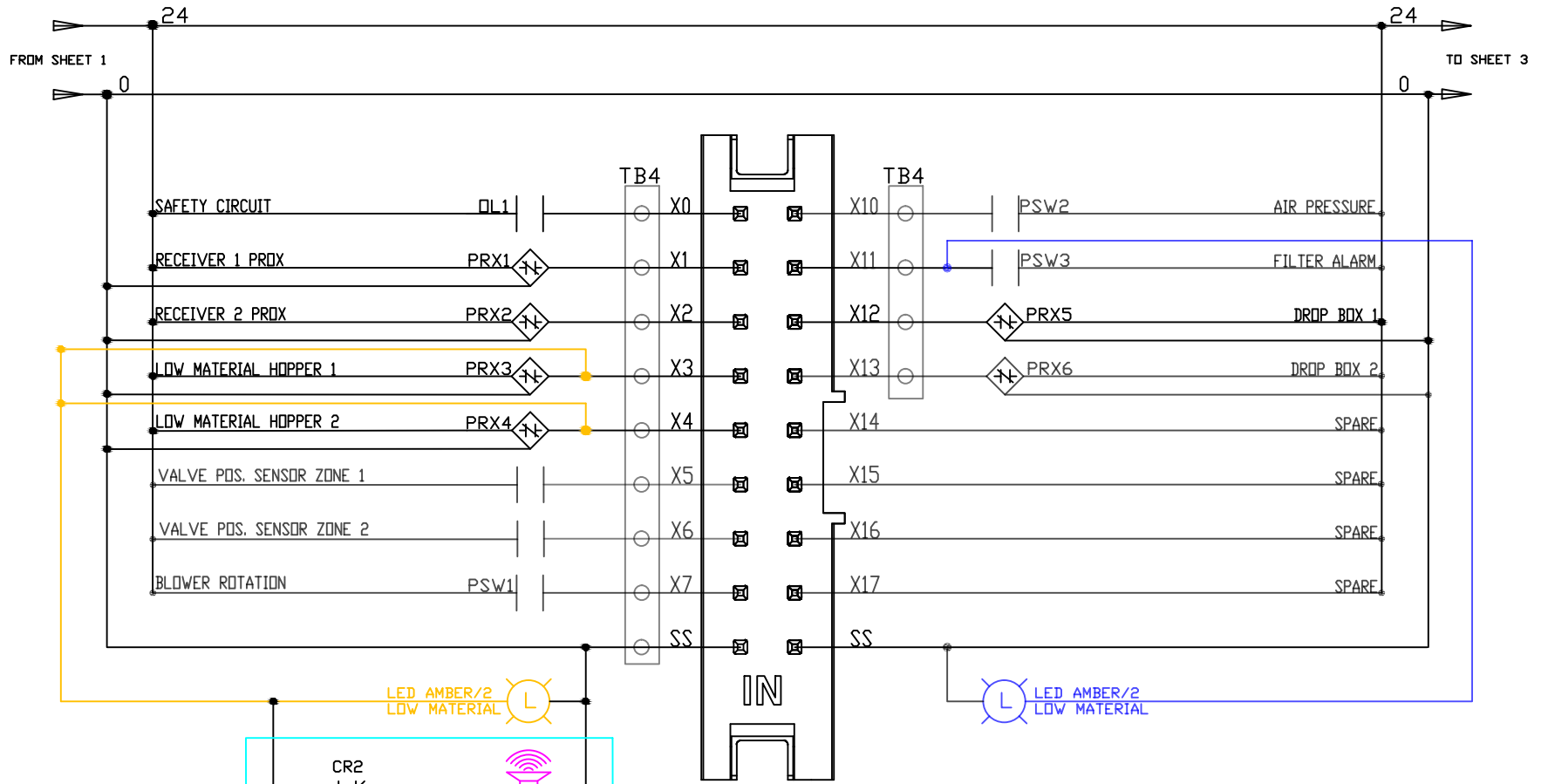
DATE: 3/20/2020

TITLE: STC CONTROL W/CLL/3 COMP. MIXING

DISPLAY ENCL

REV	DATE	DESCRIPTION	BY	APP
C	1/11/2020	ADDED INPUTS X7-X13	KK	
B	3/14/2020	ADDED COLOR CODE/ OUTPUT MOD	KK	

SHEET	REV	DRAWING NO.	SIZE
1 OF 6	C	STC PD2-3	D

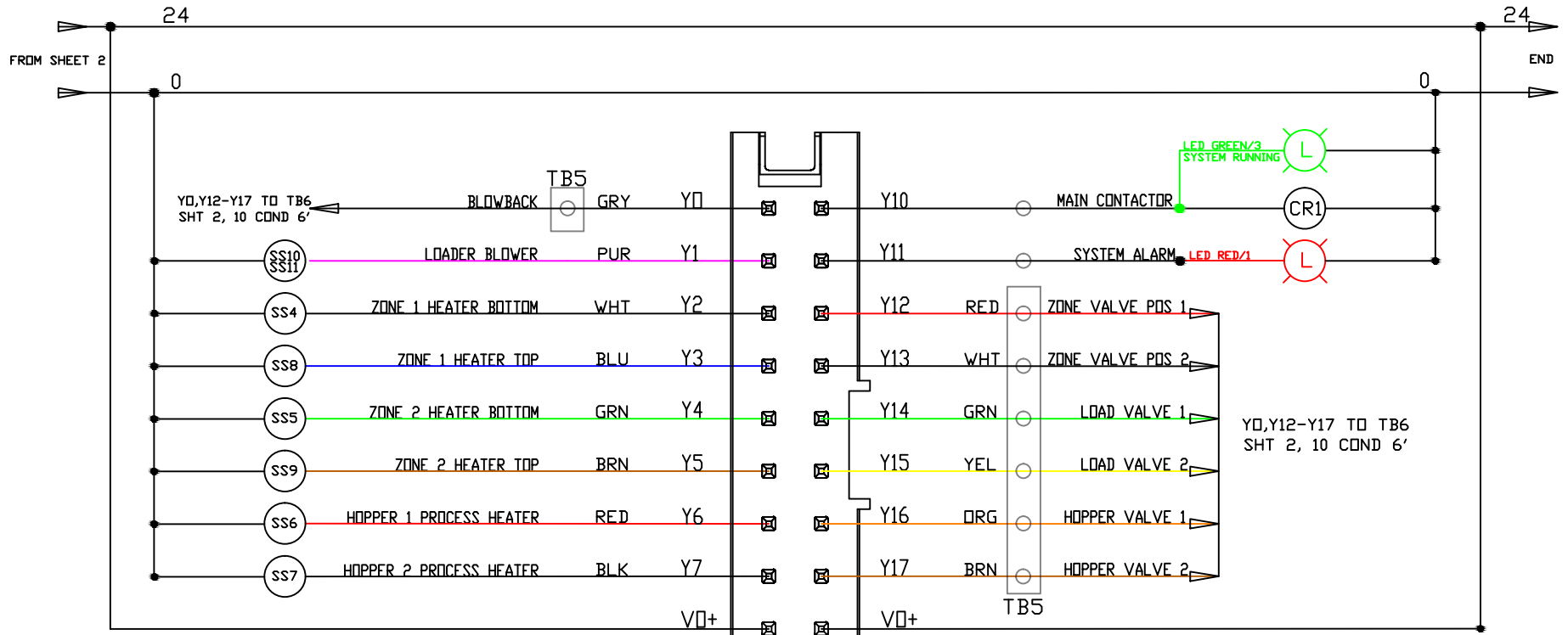


DROP BOX PROX CABLE
3 COND 10' LONG

This print property of Dri-Air Industries Inc. The information is submitted in confidence.

TOLERANCES UNLESS OTHERWISE SPECIFIED		DRI-AIR INDUSTRIES, INC.				
FRACTIONS	AS SHOWN	DRAWN	CHK'D	APP'D	DATE	SCALE
ANGLES	±30'	KLV/ANA	JS		3/28/2020	N/A
DECIMALS	±0.050	TITLE: STC CONTROL W/CLL/3 COMP. MIXING 230/460 VOLT 3P PD2 & PD3				
JUL-815 300CSB30 REMOVE ALL BUBBLES AND SHARP CORNERS DO NOT SCALE DIMS.		FINISH	SHEET	REV	DRAWING NO.	SIZE
C	1/11/2020	ADDED INPUTS X7-X13	KK		2 OF 6	D
B	2/14/2020	ADDED COLOR CODE/ OUTPUT MOD	KK		C	
REV	DATE	DESCRIPTION	BY	APP		

DISPLAY ENCL



ALARM STACK DETAIL PNP

BUZZER DIP SW SETTINGS



- BUZZER 89127
- LED WHITE 89132
- LED BLUE 89131
- LED GREEN 89130
- LED AMBER 89129
- LED RED 89128
- BASE 89126

FLASHING COMM	1	2	3	4	DESCRIPTION
NO CONNECTION	<input type="checkbox"/>	<input type="checkbox"/>	<input type="checkbox"/>	<input type="checkbox"/>	NO CONNECTION
OPTION	<input type="checkbox"/>	<input type="checkbox"/>	<input type="checkbox"/>	<input type="checkbox"/>	OPTION
POWER ON	<input type="checkbox"/>	<input type="checkbox"/>	<input type="checkbox"/>	<input type="checkbox"/>	PSW1
LED BLUE/4	<input type="checkbox"/>	<input type="checkbox"/>	<input type="checkbox"/>	<input type="checkbox"/>	PSW2
FILTER ALARM	<input type="checkbox"/>	<input type="checkbox"/>	<input type="checkbox"/>	<input type="checkbox"/>	C1 (NO)
LED GREEN/3	<input type="checkbox"/>	<input type="checkbox"/>	<input type="checkbox"/>	<input type="checkbox"/>	X3
SYSTEM RUNNING	<input type="checkbox"/>	<input type="checkbox"/>	<input type="checkbox"/>	<input type="checkbox"/>	Y11
LED AMBER/2	<input type="checkbox"/>	<input type="checkbox"/>	<input type="checkbox"/>	<input type="checkbox"/>	X3
LOW MATERIAL	<input type="checkbox"/>	<input type="checkbox"/>	<input type="checkbox"/>	<input type="checkbox"/>	FROM SENSOR
LED RED/1	<input type="checkbox"/>	<input type="checkbox"/>	<input type="checkbox"/>	<input type="checkbox"/>	Y11
SYSTEM ALARM	<input type="checkbox"/>	<input type="checkbox"/>	<input type="checkbox"/>	<input type="checkbox"/>	FROM SENSOR
BUZZER PURPLE/6	<input type="checkbox"/>	<input type="checkbox"/>	<input type="checkbox"/>	<input type="checkbox"/>	FROM SENSOR
SYSTEM ALARM	<input type="checkbox"/>	<input type="checkbox"/>	<input type="checkbox"/>	<input type="checkbox"/>	FROM SENSOR
VDC- GRAY/9	<input type="checkbox"/>	<input type="checkbox"/>	<input type="checkbox"/>	<input type="checkbox"/>	0VDC
VDC- YELLOW/7	<input type="checkbox"/>	<input type="checkbox"/>	<input type="checkbox"/>	<input type="checkbox"/>	0VDC

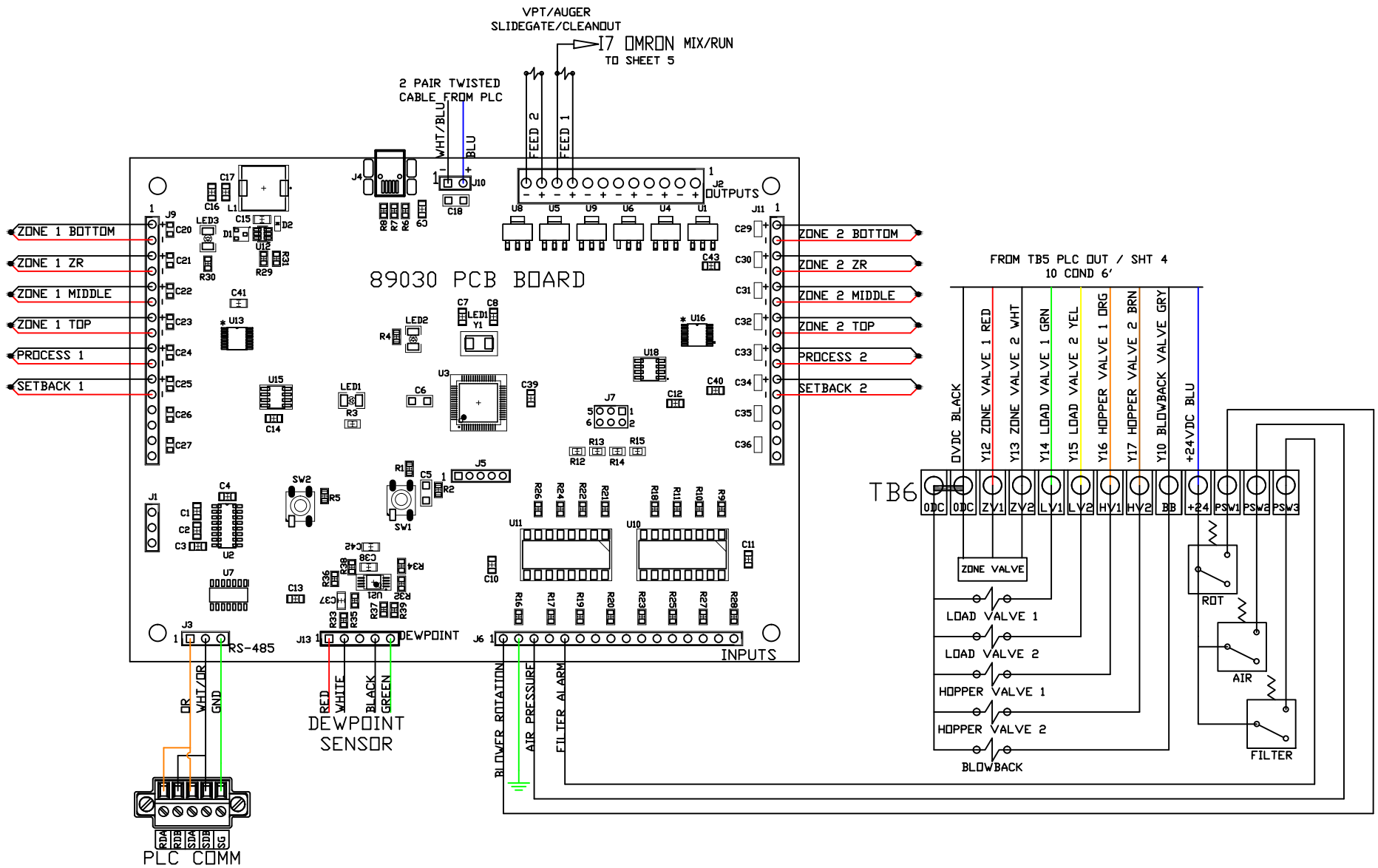
This print property of Dri-Air Industries Inc. The information is submitted in confidence.

TOLERANCES UNLESS OTHERWISE SPECIFIED		DRI-AIR INDUSTRIES, INC.	
FRACTIONS 41/32	DECIMALS .005	DRAWN (KLV/ANA)	CHK'D JS
ANGLES 30°	30°	APP'D JS	DATE 3/29/2020
REMOVE ALL BURRS AND SHARP EDGES DO NOT SCALE DWG.	J004005 J004005	TITLE	STC CONTROL W/CLL/3 COMP. MIXING
			230/460 VOLT 3P PD2 & PD3

DISPLAY ENCL

C	1/11/2020	ADDED INPUTS X7-X13	KK
B	3/14/2020	ADDED COLOR CODE/ OUTPUT MOD	KK
REV	DATE	DESCRIPTION	BY APP

FDGSH	SHEET 3 OF 6	REV C	DRAWING NO. STC PD2-3	SIZE D
-------	--------------	-------	-----------------------	--------



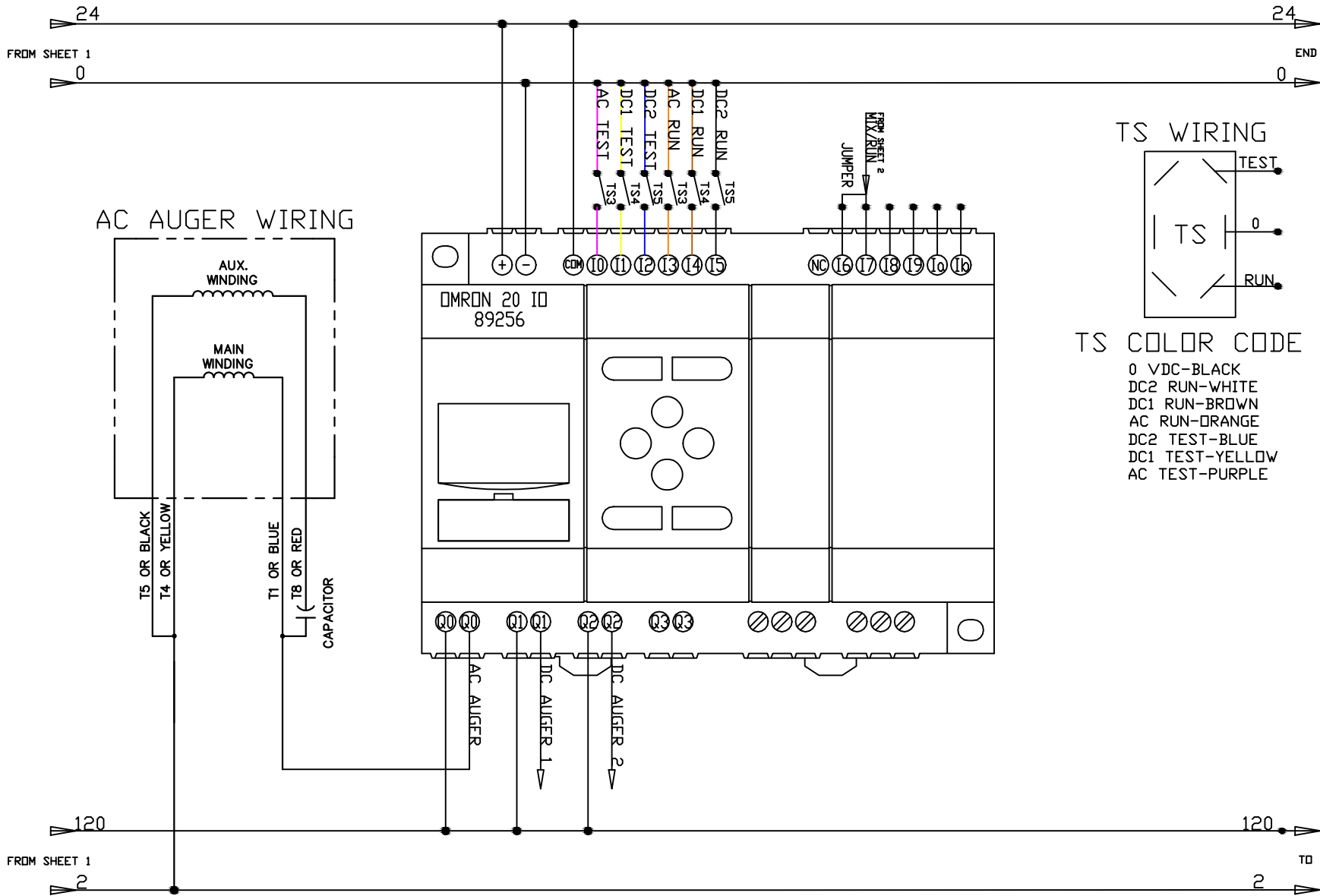
This print property of Dri-Air Industries Inc. The information is submitted in confidence.

TOLERANCES UNLESS OTHERWISE SPECIFIED		DRI-AIR INDUSTRIES, INC.			
FRACTIONS 1/16"	DECIMALS .001"	DRAWN KLV/ANA	CHK'D JS	APP'D JS	DATE 3/20/2020
ANGLES 30°	RECORDS 30/200	TITLE STC CONTROL W/CLL/3 COMP. MIXING			
REMOVE ALL BURRS AND SHARP EDGES DO NOT SCALE DRG.		230/460 VOLT 3P PD2 & PD3			

TOWER ENCL

C	1/11/2020	ADDED INPUTS X7-X13	KK						
B	3/14/2020	ADDED COLOR CODE/ OUTPUT MOD	KK						
REV	DATE	DESCRIPTION	BY	APP					

FDGSH	SHEET 4 OF 6	REV C	DRAWING NO. STC PD2-3	SCALE N/A
-------	--------------	-------	-----------------------	-----------



TS WIRING

TS COLOR CODE

- 0 VDC-BLACK
- DC2 RUN-WHITE
- DC1 RUN-BROWN
- AC RUN-ORANGE
- DC2 TEST-BLUE
- DC1 TEST-YELLOW
- AC TEST-PURPLE

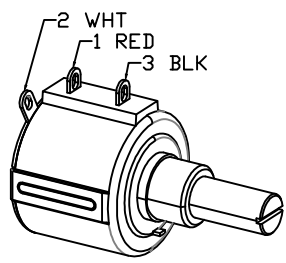
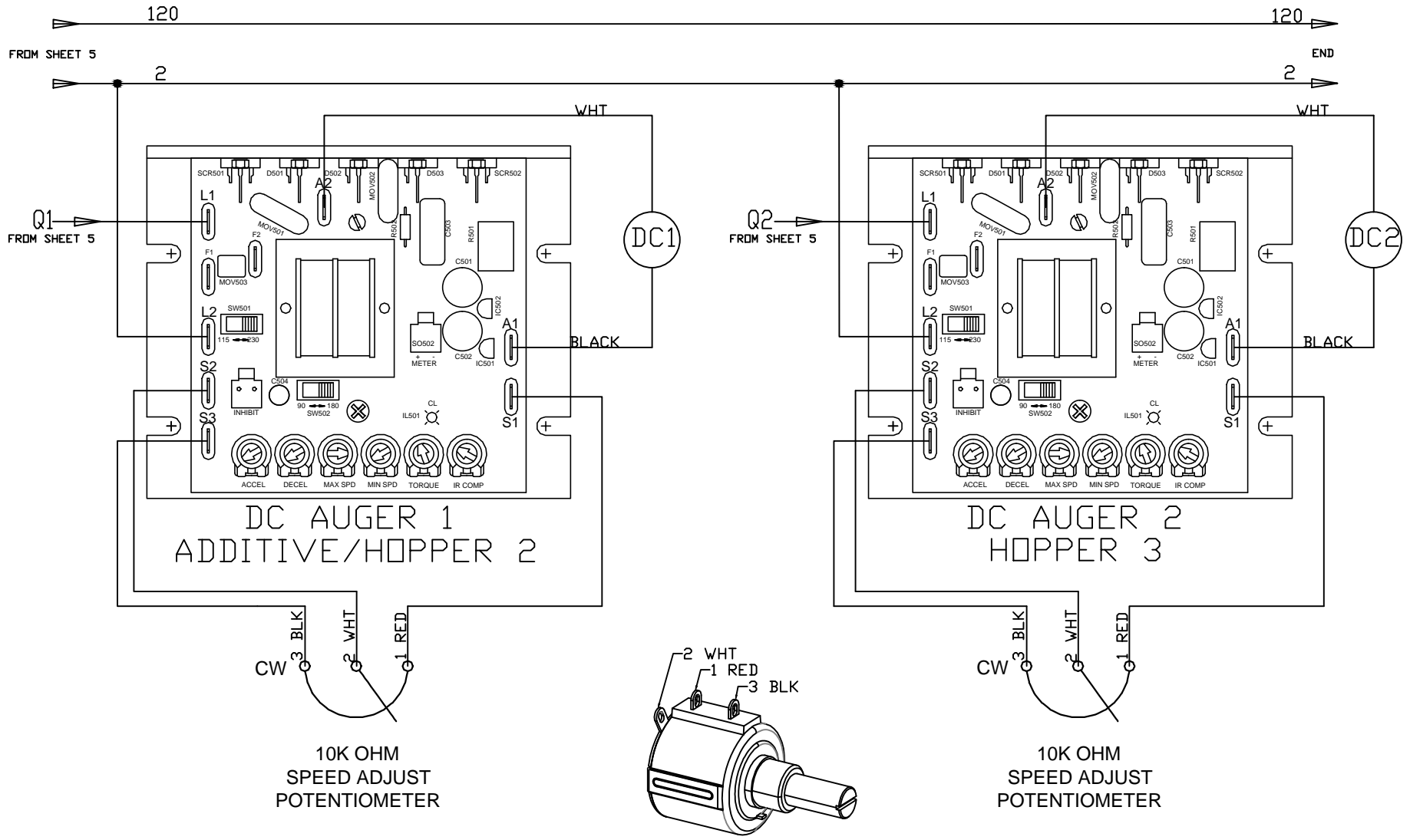
AC MOTOR NOTE

CONNECTIONS SHOWN FOR CCW ROTATION FACING LEAD END.
 TO REVERSE ROTATION INTERCHANGE T4(YELLOW) AND T1(BLUE) LEADS

This print property of Dri-Air Industries Inc. The information is submitted in confidence.

TOLERANCES UNLESS OTHERWISE SPECIFIED		DRI-AIR INDUSTRIES, INC.	
FRACTIONS 1/16, 1/32	DECIMALS .0005	DRAWN (KLV/ANA)	CHK'D JS
ANGLES ±30°	3X/250	APP'D	DATE 3/29/2020
REMOVE ALL BURRS AND SWAMP CORNERS DO NOT SCALE DRG.			SCALE N/A
TITLE		STC CONTROL W/CLL/3 COMP. MIXING	
REV		SHEET 5 OF 6	
DATE		REV C	
DESCRIPTION		DRAWING NO. STC PD2-3	
BY APP		SIZE D	

MIXING BOX



10K OHM
SPEED ADJUST
POTENTIOMETER

10K OHM
SPEED ADJUST
POTENTIOMETER

MIXING BOX

C	1/11/2021	ADDED INPUTS X7-X13	KK
B	5/14/2018	ADDED COLOR CODE/ OUTPUT MED	KK
REV	DATE	DESCRIPTION	BY APP

This print property of DRI-Air Industries Inc. The information is omitted in confidence.

TOLERANCES UNLESS OTHERWISE SPECIFIED			
FRACTIONS 41/32	DECIMALS 32-100	DRAWN KLV/ANA	CHK'D JS
ANGLES ±30°	32-100	APP'D JS	DATE 3/29/2020
REMOVE ALL BURRS AND SHARP EDGES DO NOT SCALE DWG.	JOK/MS	SCALE N/A	
TITLE STC CONTROL W/CLL/3 COMP. MIXING		SHEET 6 OF 6	
REV C		DRAWING NO. STC PD2-3	
BY		APP	
DATE		SCALE	