

TRANSFORMER CONFIG.

TRANS 480VAC	100-YL	102-BK	JUMP-RD/WH
TRANS 240VAC	100-YL	102-BK	JUMP-YL/WH JUMP-RD/BL
TRANS 208VAC	100-BR	102-BK	JUMP-YL/WH JUMP-RD/BL

FUSE/CB CHART

FU/CB#	SIZE	DESCRIPTION
CB1	SEE TAG	MAIN POWER
CB2	1 AMP	TRANS PRIMARY
FU2	1 AMP	PS 24 VDC

LEGEND

SYN	DESCRIPTION
C	CONTACTOR
H	MOTOR
DL	OVERLOAD
FU	FUSE
CB	CIRCUIT BREAKER
PS	24 VDC POWER SUPPLY
TS	TOGGLE SWITCH
CR	CONTROL RELAY
PB	PUSH BUTTON
PRX	PROXIMITY SWITCH
PSV	PRESSURE SWITCH
SDL	SOLENOID
LV	LOAD VALVE
ZV	ZONE VALVE
SS	SOLID STATE RELAY
L	LAMP
FV	FEED VALVE
HV	HOPPER VALVE

This print property of DRI-Air Industries Inc. The information is submitted in confidence.

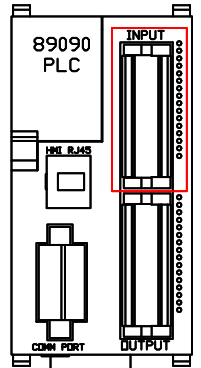
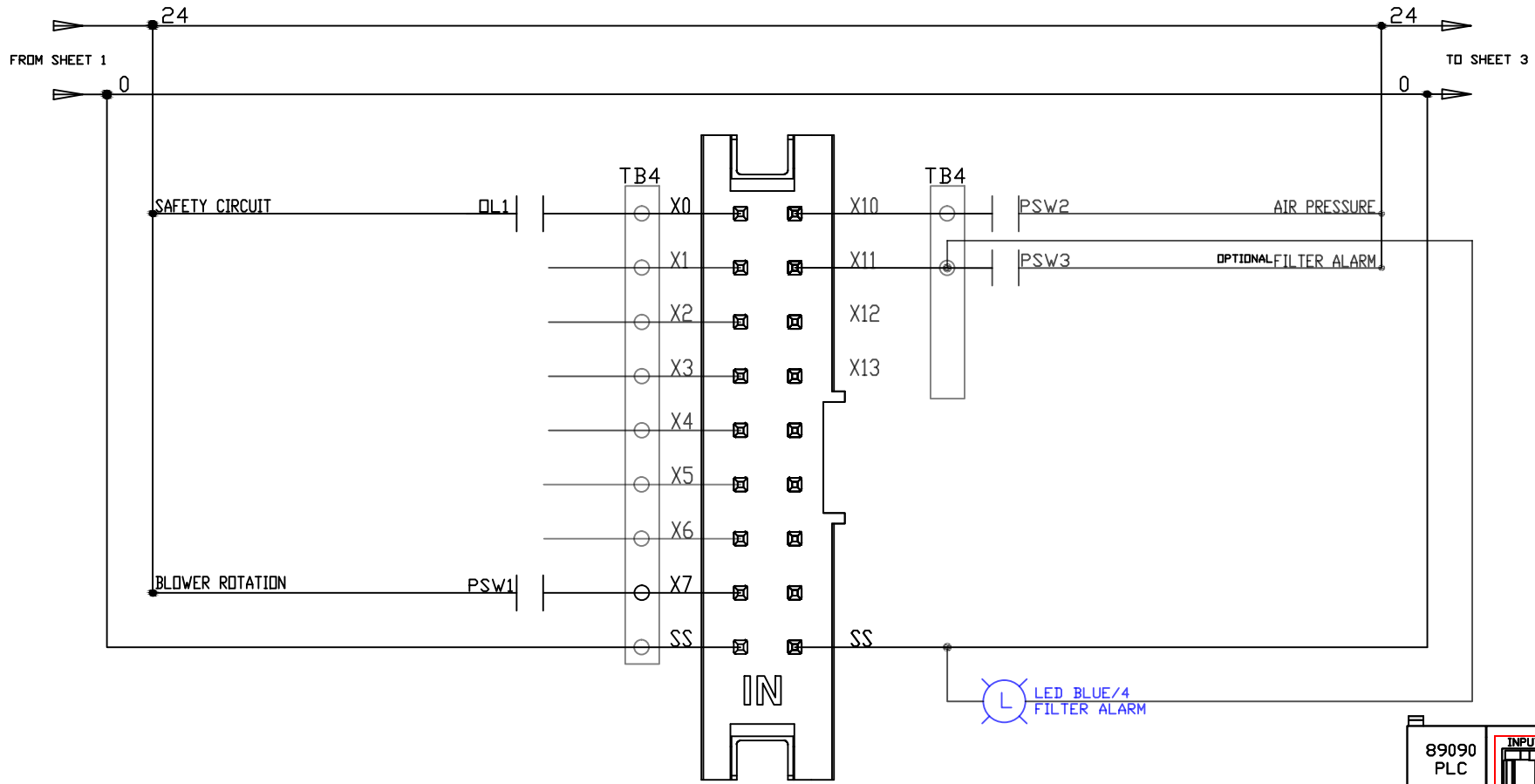
DRI-AIR INDUSTRIES, INC.

TOLERANCES UNLESS OTHERWISE SPECIFIED: FRACTIONS 1/32, ANGLES ±30', DECIMALS 0.005. REMOVE ALL BURRS AND SHARP EDGES. DO NOT SCALE DWG.

DATE: 1/28/2002

TITLE: STC CONTROL 230/460 VOLT 3P HP4X 150-300

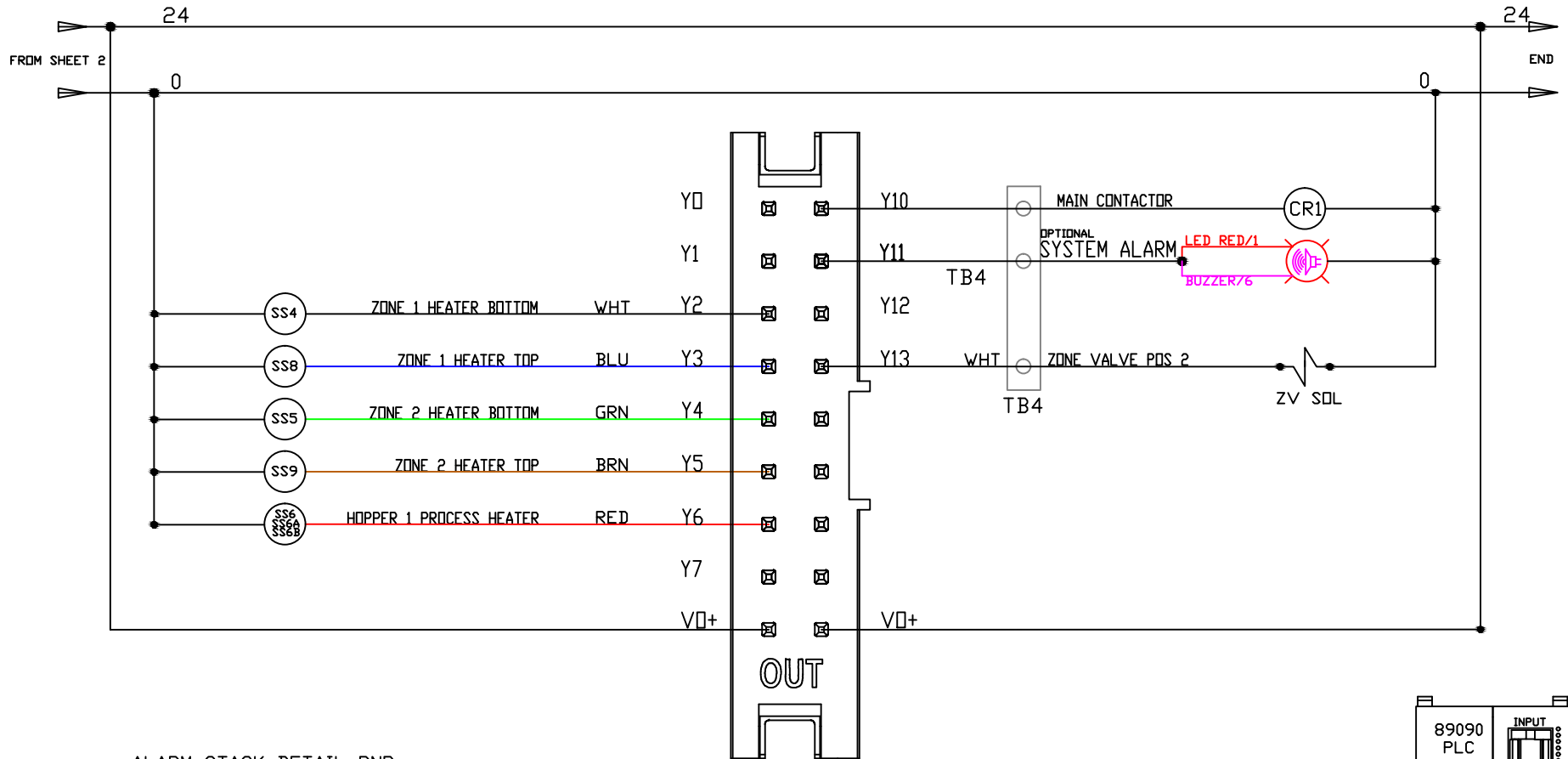
REV	DATE	DESCRIPTION	BY	APP	FDGSH	SHEET	REV	DRAWING NO.	SCALE	SIZE
1	OF 4							STC HP4X150-300		D



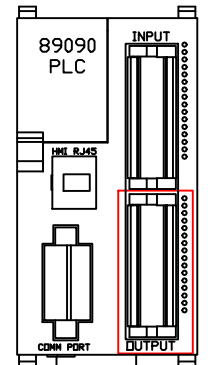
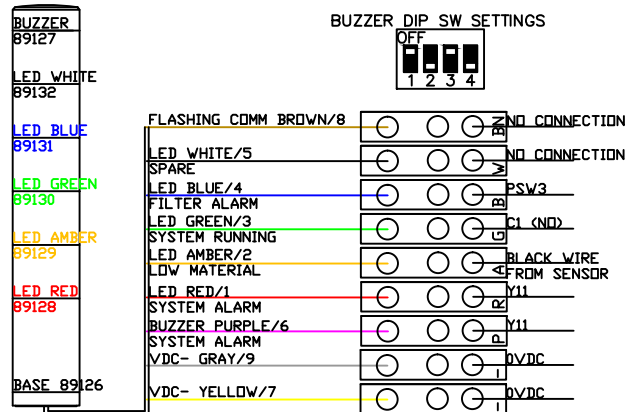
This print property of Dri-Air Industries Inc. The information is submitted in confidence.

TOLERANCES UNLESS OTHERWISE SPECIFIED FRACTIONS 1/16" 3/32" ANGLES 45° 90° DECIMALS .001" .005" .015" DECIMALS .001" .005" .015" REMOVE ALL BURRS AND SHARP CORNERS DO NOT SCALE DIMS.		DRI-AIR INDUSTRIES, INC. DRAWN: KLV/ANA CHK'D: JS APP'D: JS DATE: 1/20/2022 SCALE: N/A	
TITLE STC CONTROL 230/460 VDLT 3P FM		SHEET 2 OF 4	
REV DATE DESCRIPTION BY APP		REV DRAWING NO. STC HP4X150-300	
FINISH		SIZE D	

DISPLAY ENCL



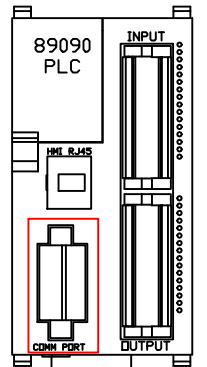
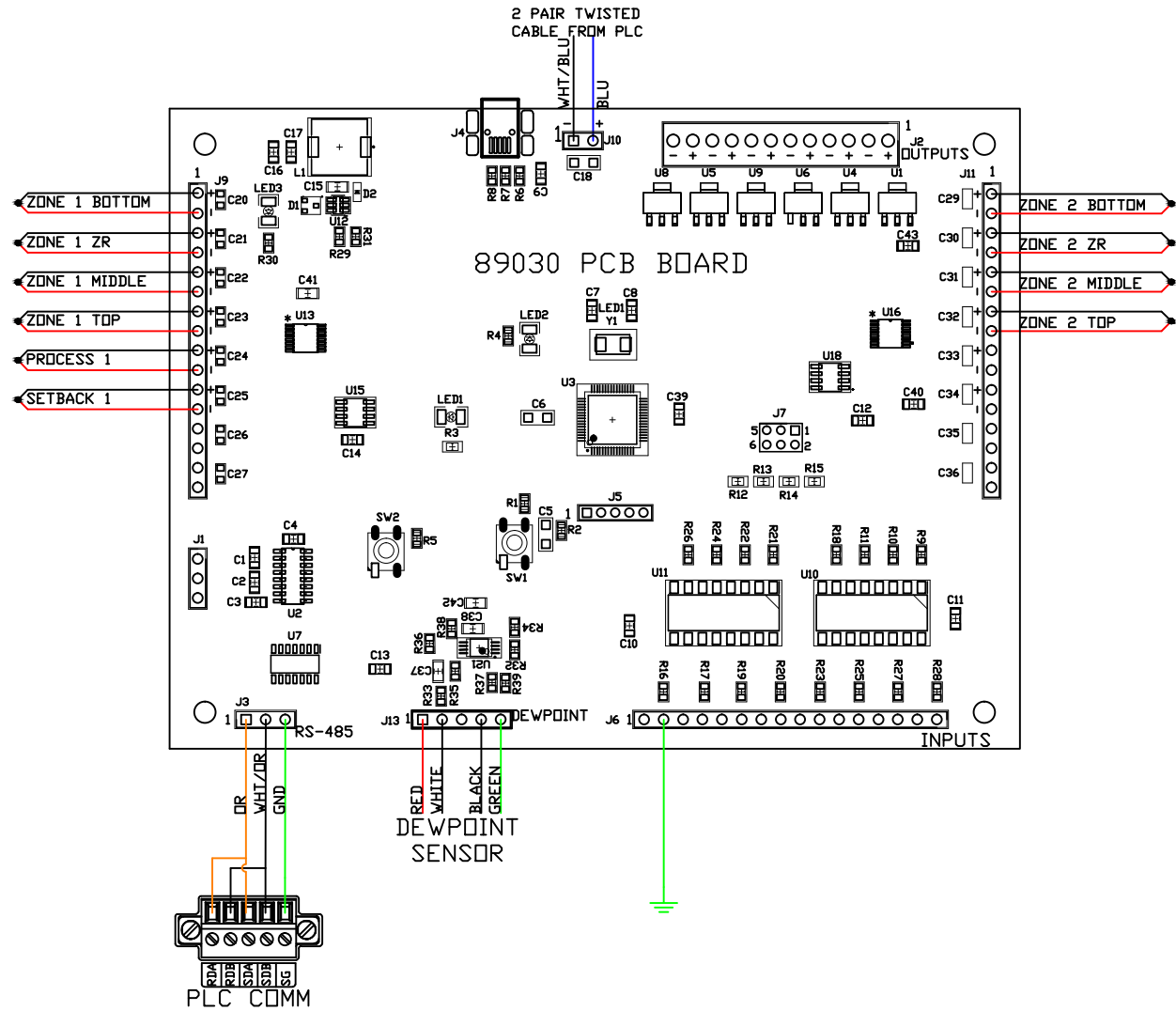
ALARM STACK DETAIL PNP



This print property of DRI-Air Industries Inc. The information is submitted in confidence.

TOLERANCES UNLESS OTHERWISE SPECIFIED	DRI-AIR INDUSTRIES, INC.			
FRACTIONS 41/32	DRAWN	CHK'D	APP'D	DATE
ANGLES 20°	(KLV/ANA)	JS		1/25/2022
DECIMALS 3X/500				
REMOVE ALL BURS AND SWAMP CORNERS DO NOT SCALE DWG.	TITLE STC CONTROL 230/460 VDLT 3P FM			

REV	DATE	DESCRIPTION	BY	APP	FDGSH	SHEET 3 OF 4	REV	DRAWING NO. STC HP4X150-300	SCALE N/A	SIZE D
-----	------	-------------	----	-----	-------	--------------	-----	-----------------------------	-----------	--------



This print property of Dri-Air Industries Inc. The information is submitted in confidence.

TOLERANCES UNLESS OTHERWISE SPECIFIED						
FRACTIONS	41/32					
ANGLES	±30°	DRAWN	CHK'D	APP'D	DATE	SCALE
DECIMALS	0.0050	(K,L,V,ANA)	JS	JS	1/25/2022	N/A
J0424205 REMOVE ALL BURRS AND SWAMP CORNERS DO NOT SCALE DIMS.		TITLE STC CONTROL 230/460 VDLT 3P FM				

REV	DATE	DESCRIPTION	BY	APP	FDGSH	SHEET	REV	DRAWING NO.	SIZE
4	DF					4		STC HP4X150-300	D