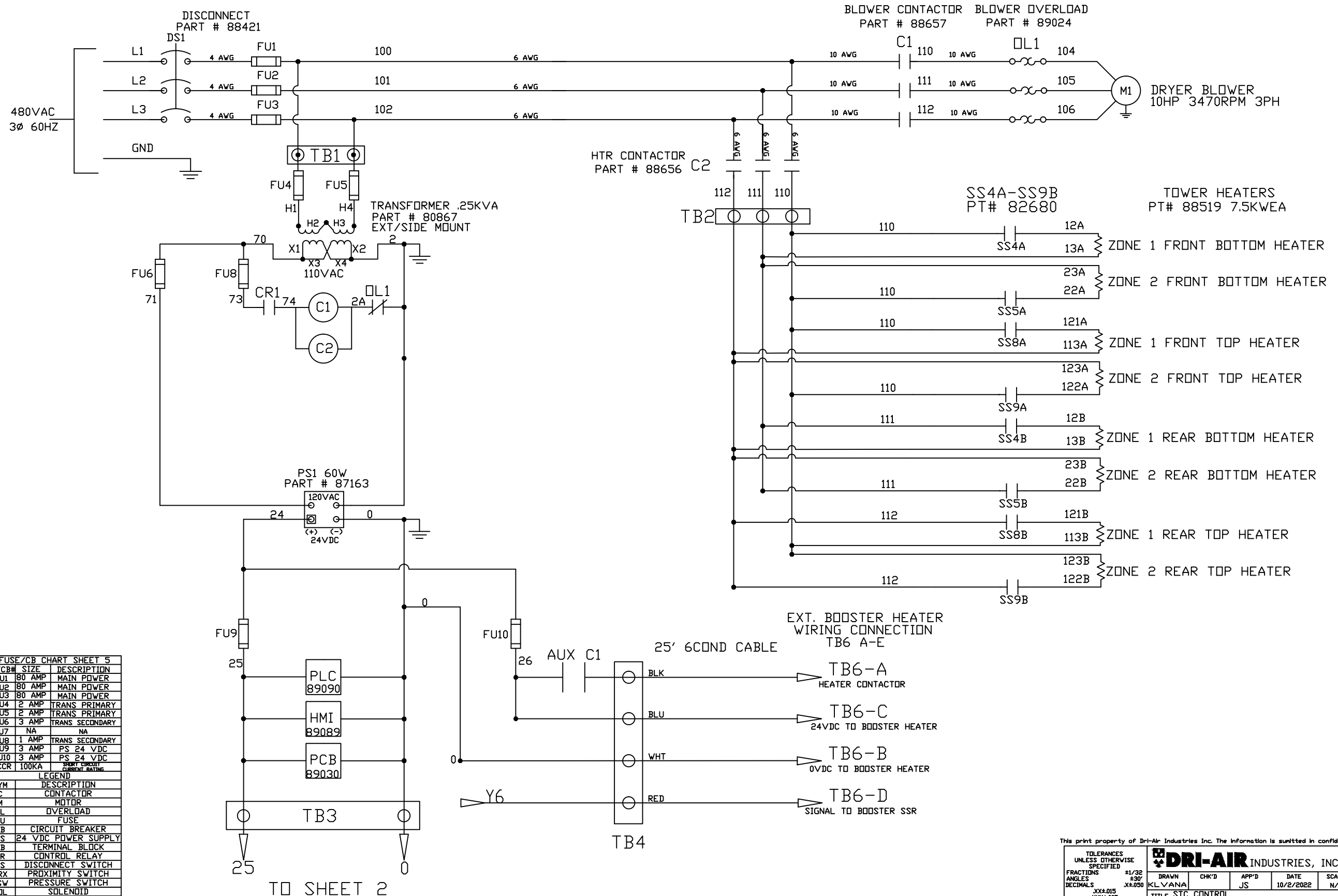


DRYER CONTROL WIRING SCHEMATIC PG. 1



FUSE/CB#	SIZE	DESCRIPTION
FU1	80 AMP	MAIN POWER
FU2	80 AMP	MAIN POWER
FU3	80 AMP	MAIN POWER
FU4	2 AMP	TRANS PRIMARY
FU5	2 AMP	TRANS PRIMARY
FU6	3 AMP	TRANS SECONDARY
FU7	NA	NA
FU8	1 AMP	TRANS SECONDARY
FU9	3 AMP	PS 24 VDC
FU10	3 AMP	PS 24 VDC
SCCR	100KA	SHORT CIRCUIT CURRENT RATING

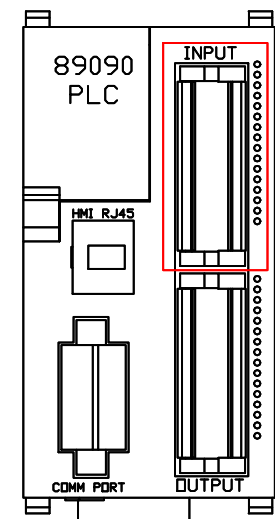
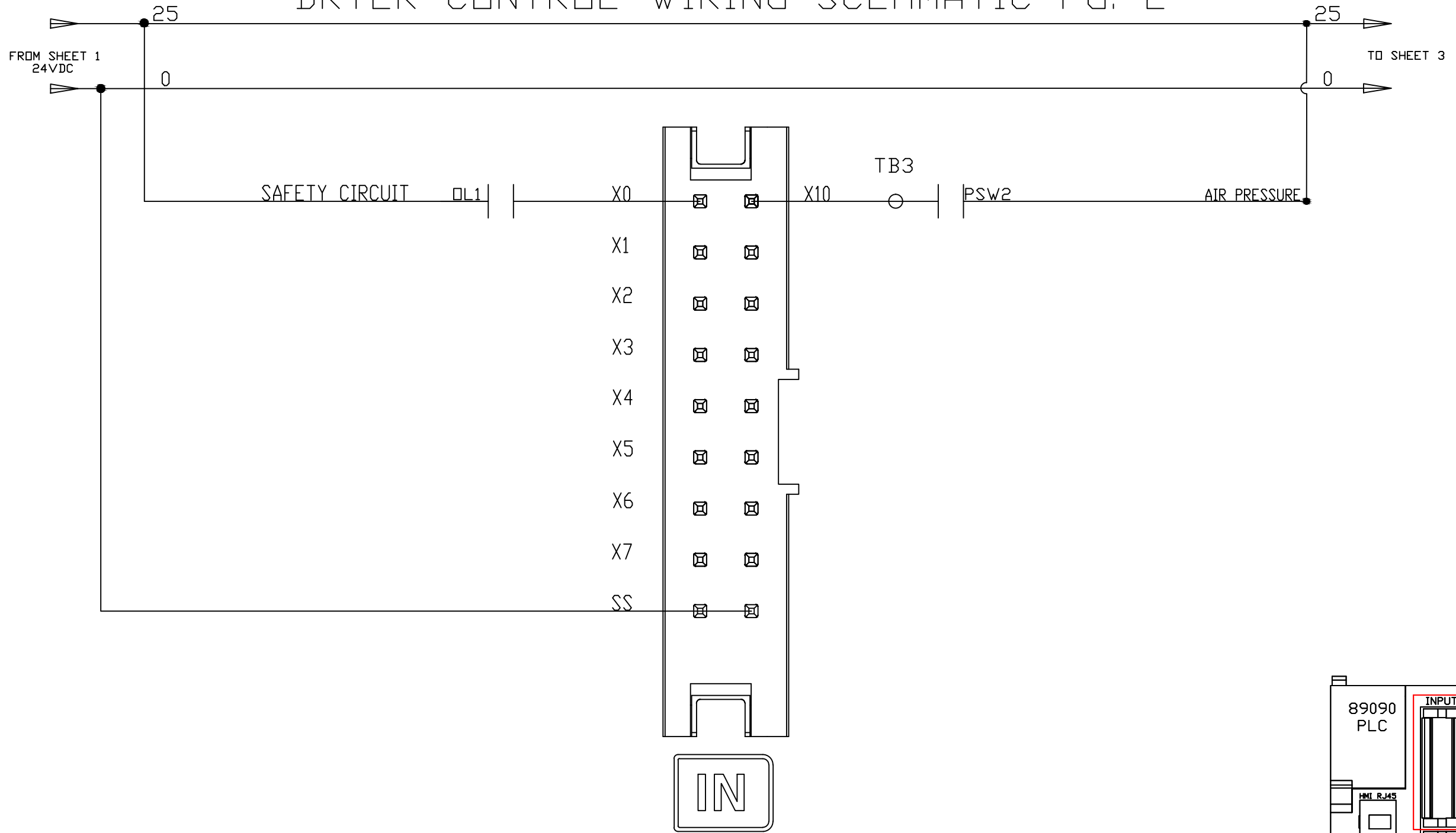
SYM	DESCRIPTION
C	CONTACTOR
M	MOTOR
DL	OVERLOAD
FU	FUSE
CB	CIRCUIT BREAKER
PS	24 VDC POWER SUPPLY
TB	TERMINAL BLOCK
CR	CONTROL RELAY
DS	DISCONNECT SWITCH
PRX	PROXIMITY SWITCH
PSW	PRESSURE SWITCH
SDL	SOLENOID
LV	LOAD VALVE
ZV	ZONE VALVE
SS	SOLID STATE RELAY
L	LAMP
DT	THERMAL SWITCH
HV	HOPPER VALVE

TO SHEET 2

This print property of Dri-Air Industries Inc. The information is submitted in confidence.

TOLERANCES UNLESS OTHERWISE SPECIFIED FRACTIONS ±1/32 ANGLES ±30 DECIMALS ±0.050 .XX±.015 .XXX±.005 REMOVE ALL BURRS AND SHARP CORNERS DO NOT SCALE DWG.	DRI-AIR INDUSTRIES, INC.			
	DRAWN KLVANA	CHK'D JS	APP'D JS	DATE 10/2/2022
TITLE STC CONTROL 480 VOLT 3Ø HP4X 1500FM w/NOVATEC BOOSTER HEATER				
FINISH 1 OF 4	SHEET 1 OF 4	REV -	DRAWING NO. 89182	SIZE D

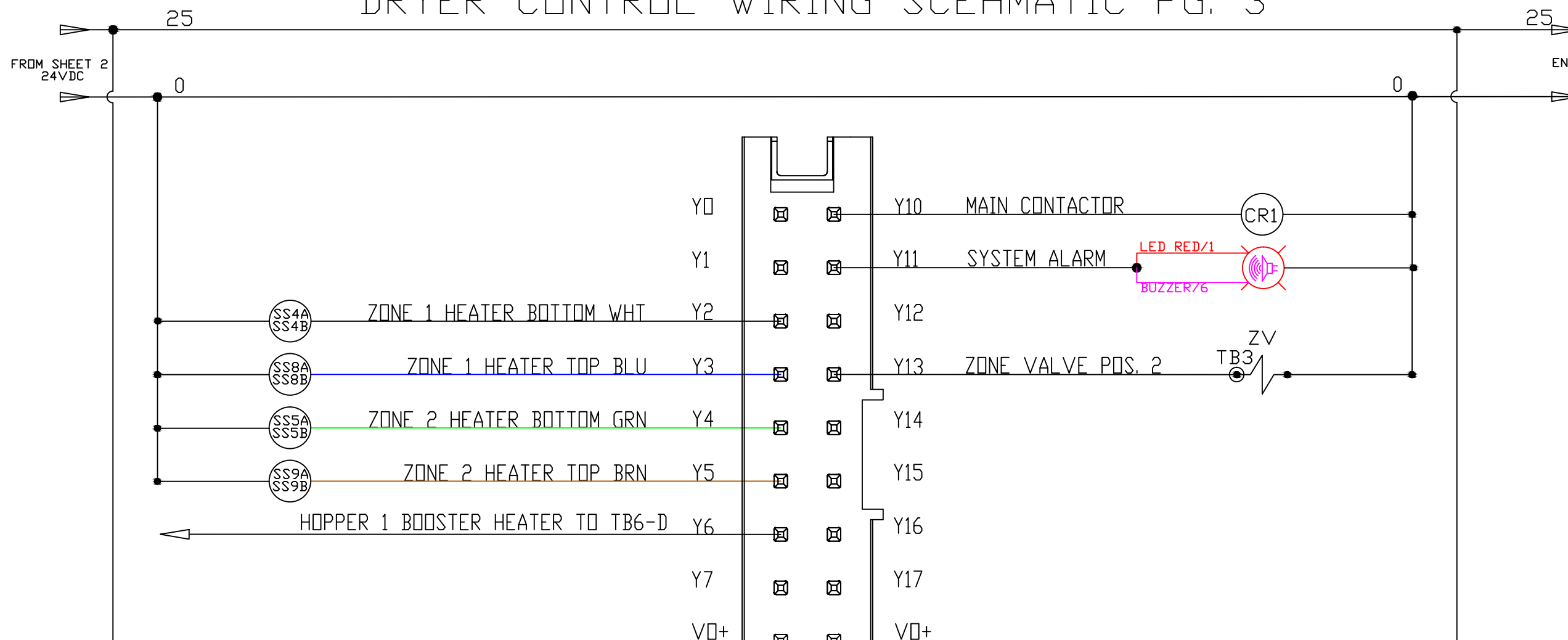
DRYER CONTROL WIRING SCHEMATIC PG. 2



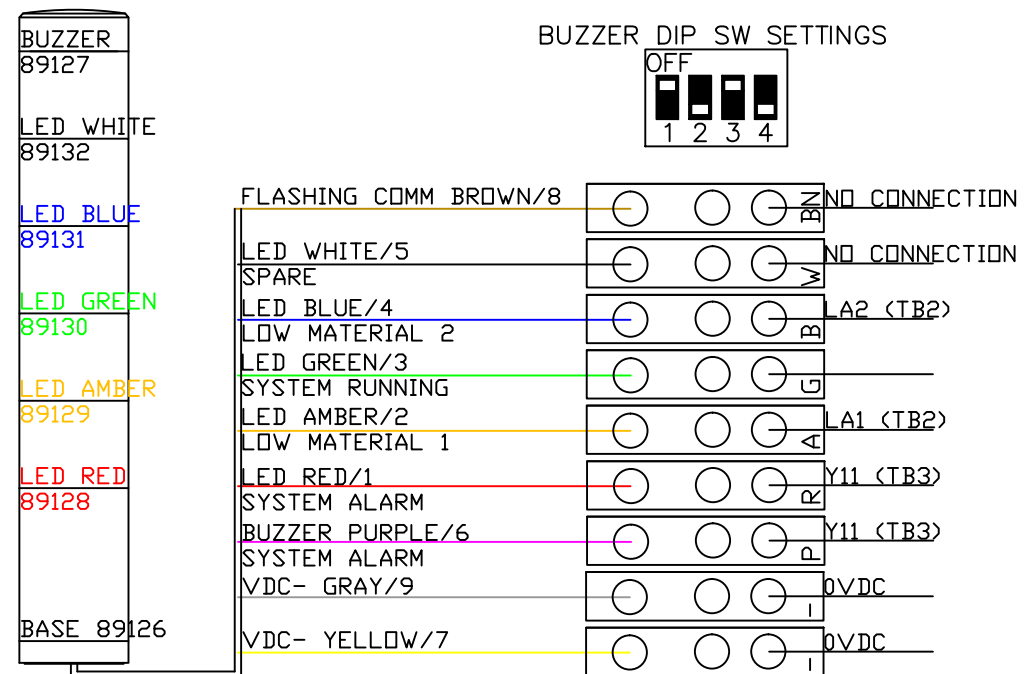
This print property of Dri-Air Industries Inc. The information is submitted in confidence.

TOLERANCES UNLESS OTHERWISE SPECIFIED FRACTIONS 1/32 ANGLES 45° DECIMALS .XX±.015 .XXX±.005 REMOVE ALL BURRS AND SHARP CORNERS DO NOT SCALE DWG.		DRI-AIR INDUSTRIES, INC.		DRAWN KLVANA CHK'D APP'D JS DATE 10/2/2022 SCALE N/A	TITLE STC CONTROL 480 VOLT 3Ø HP4X 1500FM w/NOVATEC BOOSTER HEATER
FINISH	SHEET 2 OF 4	REV -	DRAWING NO. 89182	SIZE D	

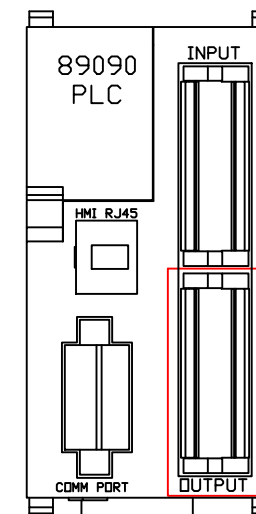
DRYER CONTROL WIRING SCHEMATIC PG. 3



ALARM STACK DETAIL PNP



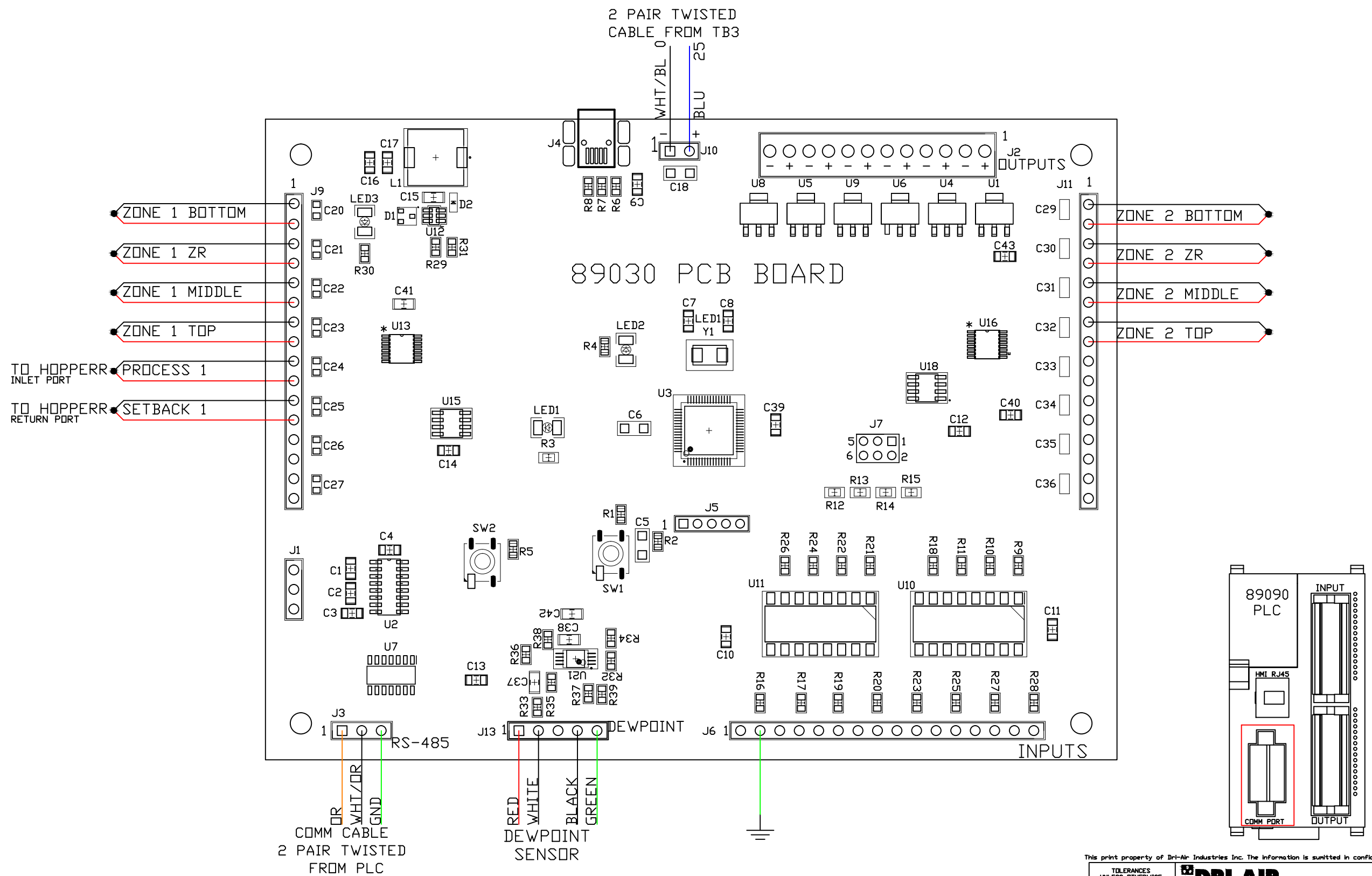
OUT



This print property of Dri-Air Industries Inc. The information is submitted in confidence.

TOLERANCES UNLESS OTHERWISE SPECIFIED		DRI-AIR INDUSTRIES, INC.				
FRACTIONS	±1/32	DRAWN	CHK'D	APP'D	DATE	SCALE
ANGLES	±30'	KLVANA	JS	JS	10/2/2022	N/A
DECIMALS	±.050	TITLE STC CONTROL				
XX±.015 XXX±.005 REMOVE ALL BURRS AND SHARP CORNERS DO NOT SCALE DWG.		480 VOLT 3Ø HP4X 1500FM w/NOVATEC BOOSTER HEATER				
FINISH	SHEET 3 OF 4	REV -	DRAWING NO. 89182		SIZE D	

DRYER CONTROL WIRING SCHEMATIC PG. 4



This print property of Dri-Air Industries Inc. The information is submitted in confidence.

TOLERANCES UNLESS OTHERWISE SPECIFIED		DRI-AIR INDUSTRIES, INC.			
FRACTIONS	±1/32	DRAWN	CHK'D	APP'D	DATE
ANGLES	+30°	KL/VANA	JS	JS	10/2/2022
DECIMALS	.X4, .050	TITLE		SCALE	N/A
.XX±.015 .XXX±.025		TITLE		SCALE	N/A
REMOVE ALL BURRS AND SHARP CORNERS DO NOT SCALE DWG.		TITLE		SCALE	N/A
		TITLE		SCALE	N/A
FINISH	SHEET	REV	DRAWING NO.	SIZE	
	4 DF 4	-	89182	D	