

TRANSFORMER CONFIG.

| | | | |
|--------------|--------|--------|------------|
| TRANS 480VAC | 100-YL | 102-BK | JUMP-RD/VH |
| TRANS 240VAC | 100-YL | 102-BK | JUMP-YL/VH |
| TRANS 208VAC | 100-BR | 102-BK | JUMP-YL/VH |
| | | | JUMP-RD/BL |

FUSE/CB CHART

| FU/CB | SIZE | DESCRIPTION |
|-------|-------|-----------------|
| C1 | 1 AMP | TRANS PRIMARY |
| FU1 | 1 AMP | TRANS SECONDARY |
| FU7 | 1 AMP | PS 24 VDC |
| FU8 | 1 AMP | COOLING FAN |

LEGEND

| SYM | DESCRIPTION |
|-----|---------------------|
| C | CONTACTOR |
| M | MOTOR |
| DL | OVERLOAD |
| FU | FUSE |
| CB | CIRCUIT BREAKER |
| PS | 24 VDC POWER SUPPLY |
| TS | TOGGLE SWITCH |
| CR | CONTROL RELAY |
| PB | PUSH BUTTON |
| PSW | PROXIMITY SWITCH |
| PSW | PRESSURE SWITCH |
| SOL | SILENCER |
| LV | LOAD VALVE |
| ZV | ZONE VALVE |
| SS | SHLID STATE RELAY |
| L | LAMP |
| FV | FEED VALVE |
| HV | HOPPER VALVE |

This print property of DRI-Air Industries Inc. The information is submitted in confidence.

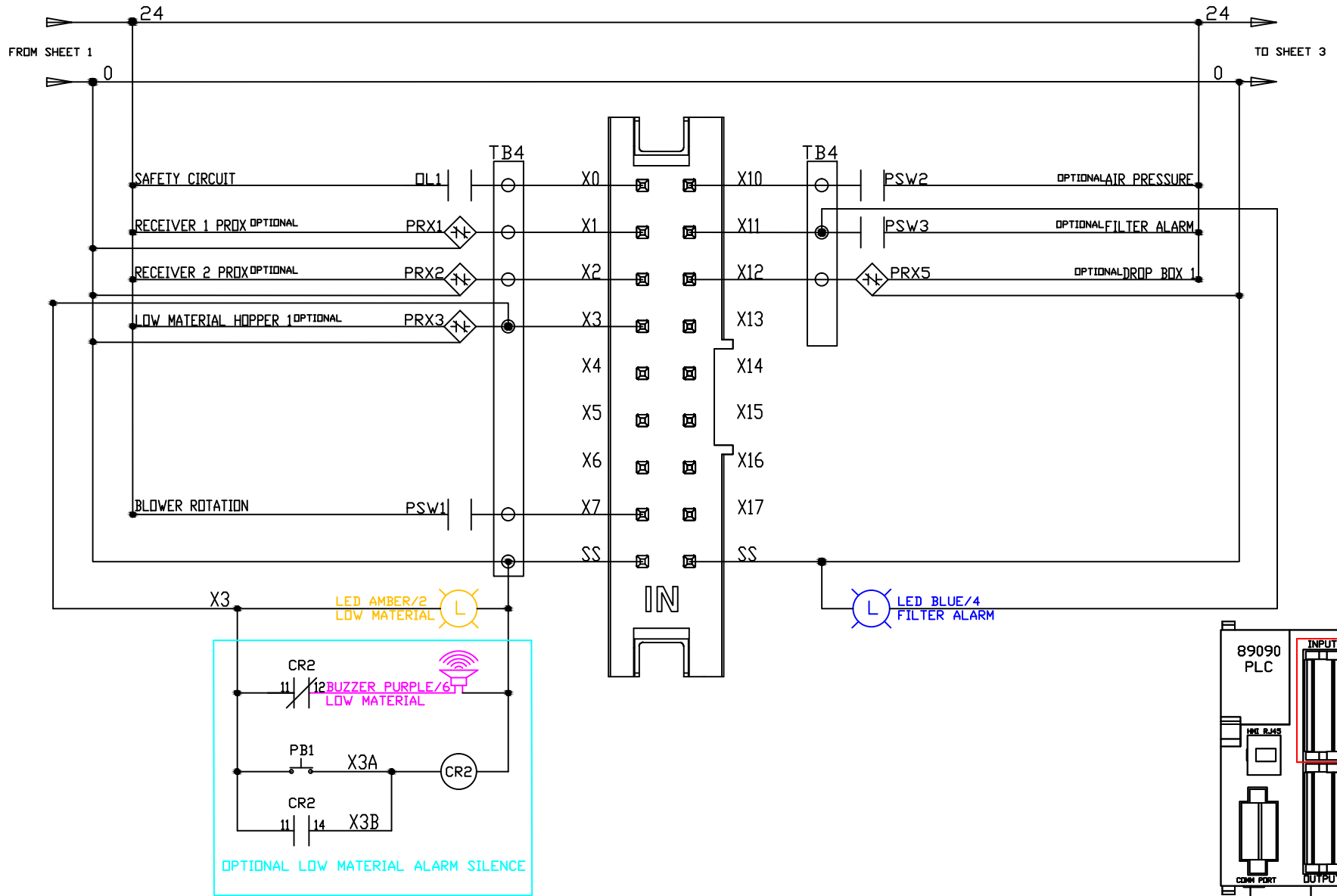
DRI-AIR INDUSTRIES, INC.

| | | | |
|--|------------------|-------------|-----------------|
| TOLERANCES UNLESS OTHERWISE SPECIFIED | FRACCTIONS 41/32 | ANGLES ±30° | DECIMALS 3X/500 |
| REMOVE ALL BURRS AND SWAMP CORNERS DO NOT SCALE DWG. | J0024005 | | |

TITLE STC CONTROL W/LOADER
230/460 VOLT 3P
ARID-X 18/25/35/50/75/100 FM/PD

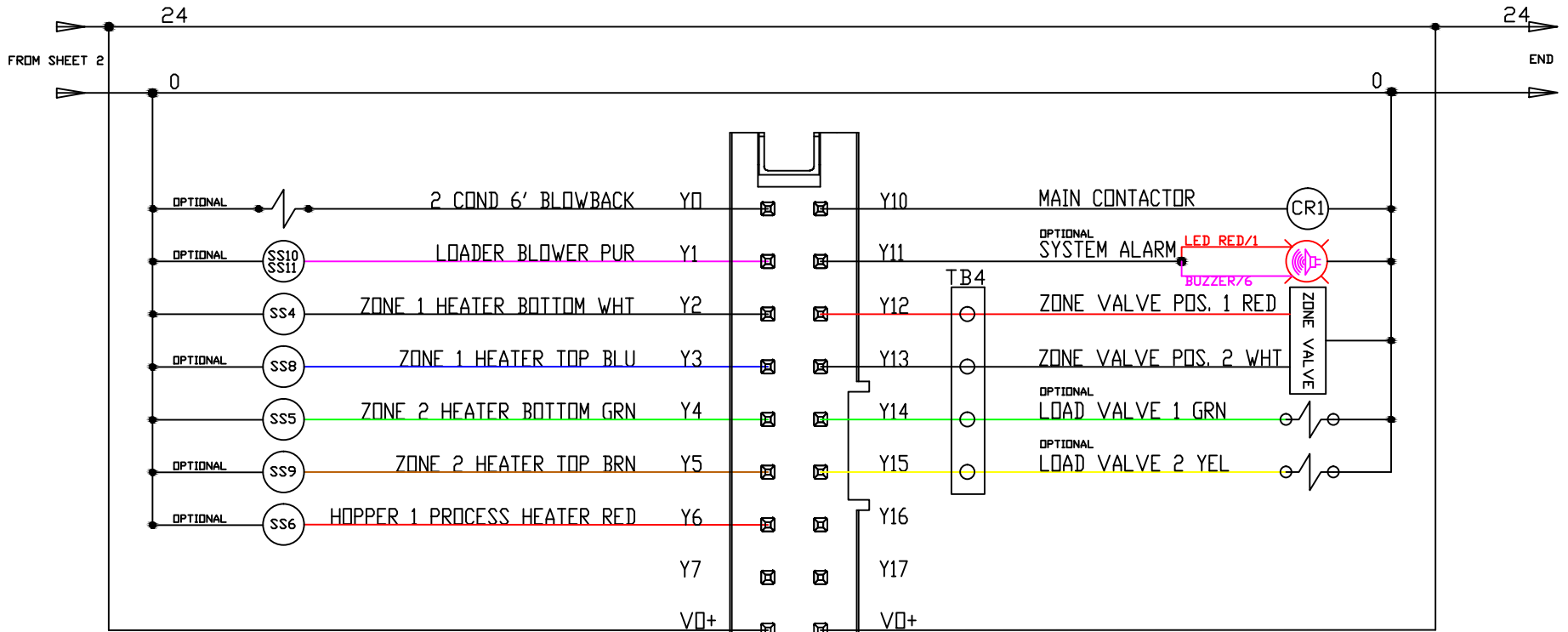
| | | | | |
|-----|-----------|------------------------------|----|-----|
| REV | DATE | DESCRIPTION | BY | APP |
| B | 3/14/2008 | ADDED COLOR CODE/ OUTPUT MOD | KK | |

| | | | |
|--------------|-------|-----------------------|--------|
| SHEET 1 OF 4 | REV C | DRAWING NO. STC FM/PD | SIZE D |
|--------------|-------|-----------------------|--------|



This print property of Dri-Air Industries Inc. The information is submitted in confidence.

| | | | | | | | | |
|---|-----------|---------------------------------|-------|-------|---------|-------|-------------|------|
| TOLERANCES UNLESS OTHERWISE SPECIFIED | | DRI-AIR INDUSTRIES, INC. | | | | | | |
| FRACTIONS | 41/32 | DRWN | CHK'D | APP'D | DATE | SCALE | | |
| ANGLES | ±30' | KL | VANA | JS | 10/2/19 | N/A | | |
| DECIMALS | 3X.050 | TITLE | | | | SIZE | | |
| REMOVE ALL BURRS AND SHARP CORNERS DO NOT SCALE DIMS FINISH TITLE: STC CONTROL W/LOADER 230/460 VOLT 3P ARID-X 18/25/35/50/75/100 FM/PD | | | | | | 2 | | |
| REV | DATE | DESCRIPTION | BY | APP | SHEET | REV | DRAWING NO. | DATE |
| B | 5/14/2008 | ADDED COLOR CODE/ OUTPUT MOD | KK | | 2 OF 4 | B | STC FM/PD | D |

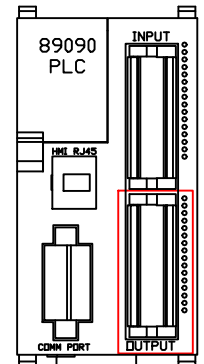
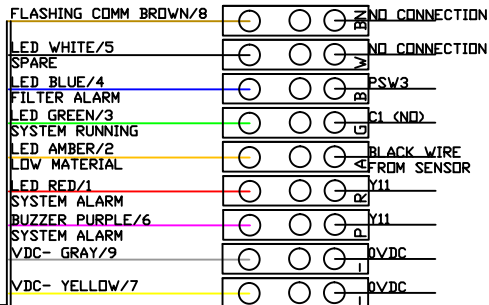


ALARM STACK DETAIL PNP

BUZZER DIP SW SETTINGS



- BUZZER 89127
- LED WHITE 89132
- LED BLUE 89131
- LED GREEN 89130
- LED AMBER 89129
- LED RED 89128
- BASE 89126



This print property of DRI-Air Industries Inc. The information is submitted in confidence.

| | | | |
|---|---|--------------------------|-----------|
| TOLERANCES UNLESS OTHERWISE SPECIFIED | | DRI-AIR INDUSTRIES, INC. | |
| FRACTIONS 41/32 | DECIMALS .005 | DATE 10/2/19 | SCALE N/A |
| ANGLES ±30° | UNLESS NOTED OTHERWISE | DRWN KLV/ANA | CHK'D JS |
| REMOVE ALL BURRS AND SWIP CORNERS DO NOT SCALE DWG. | TITLE STC CONTROL W/LOADER | | |
| | 230/460 VOLT 3P ARID-X 18/25/35/50/75/100 FM/PD | | |

| | | | | | | | | | |
|-----|-----------|------------------------------|----|-----|--|--|--|--|--|
| B | 3/14/2008 | ADDED COLOR CODE/ OUTPUT MOD | KK | | | | | | |
| REV | DATE | DESCRIPTION | BY | APP | | | | | |

