

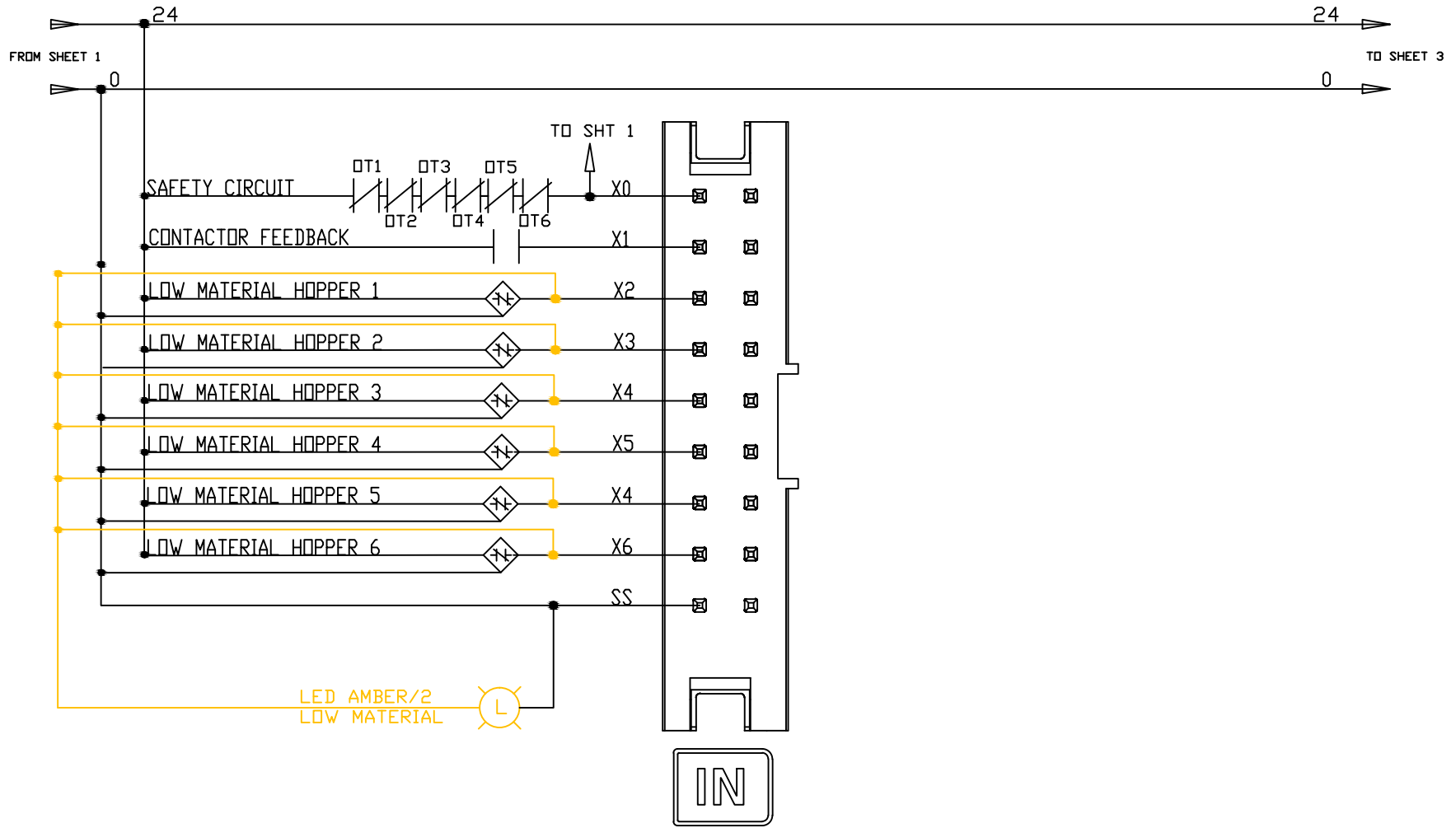
FU/CB#	SIZE	DESCRIPTION
CB1	300	MAIN POWER
CB2	11 AMP	TRANS PRIMARY
FU1	3 AMP	TRANS SECONDARY
FU2	3 AMP	PS 24 VDC

SYMBOL	DESCRIPTION
C	CONTACTOR
M	MOTOR
FU	FUSE
DT	THERMAL SWITCH
CB	CIRCUIT BREAKER
PS	24 VDC POWER SUPPLY
TS	TOGGLE SWITCH
CR	CONTROL RELAY
PB	PUSH BUTTON
PRX	PROXIMITY SWITCH
PSV	PRESSURE SWITCH
SSL	SOLID STATE RELAY
L	LAMP
FV	FEED VALVE
HV	HOPPER VALVE

This print property of DRI-Air Industries Inc. The information is furnished in confidence.

TOLERANCES UNLESS OTHERWISE SPECIFIED		DRAWN J.S.EARLS		CHK'D JS	APP'D JS	DATE 10/28/20	SCALE N/A
FRACTIONS 16/32	ANGLES 30°	DECIMALS 0.0005	TITLE		STC CONTROL 230/460 VOLT 3Ø HOPPER BANK		
X-AXIS DIMENSIONS REMOVE ALL BURRS AND SWAMP CORNERS DO NOT SCALE IN/4		FINISH		SHEET 1 OF 4	REV 2	DRAWING NDL STC HB	SIZE D

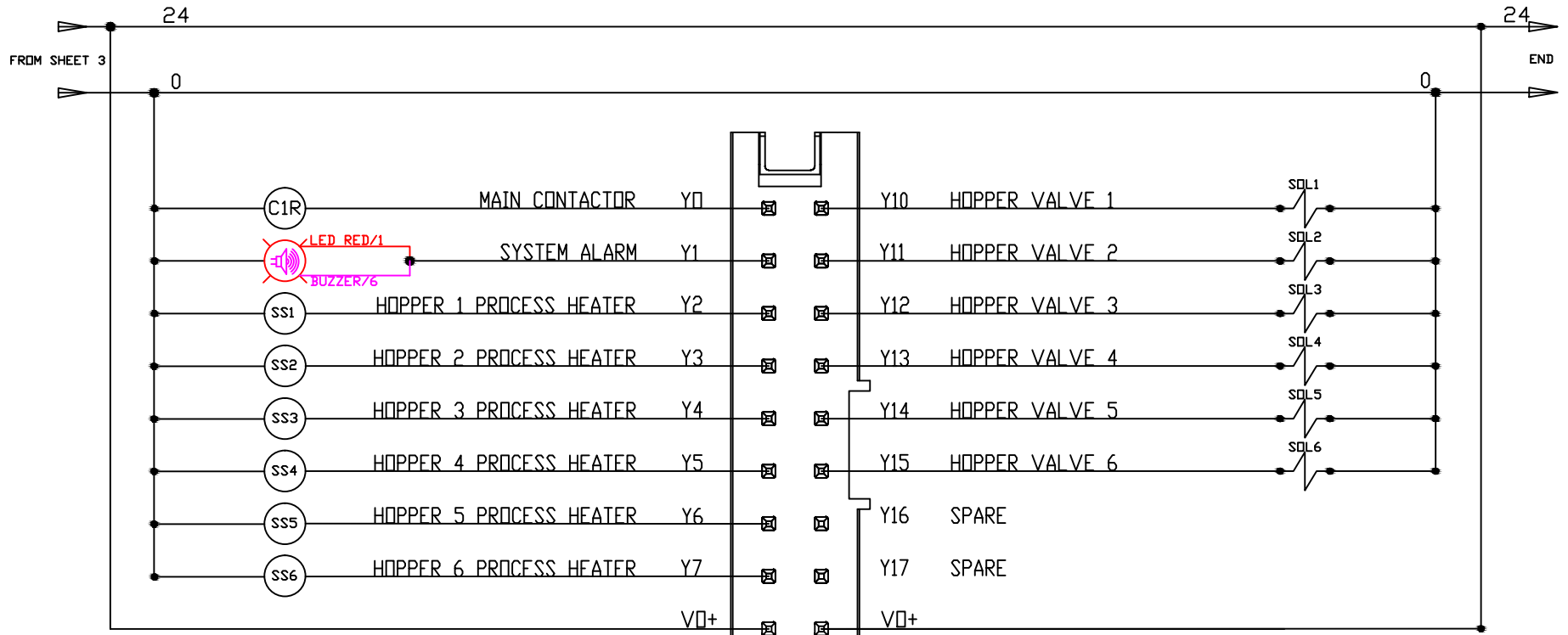
REV	DATE	DESCRIPTION	BY	APP



This print property of Dri-Air Industries Inc. The information is submitted in confidence.

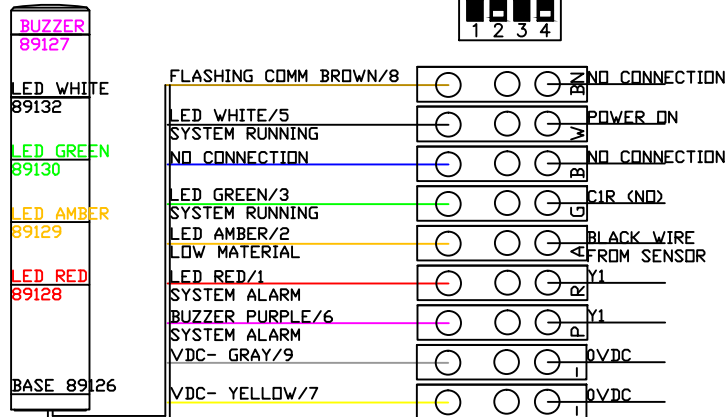
TOLERANCES UNLESS OTHERWISE SPECIFIED		DRI-AIR INDUSTRIES, INC.			
FRACTIONS	1/16"	DRAWN	CHK'D	APP'D	DATE
ANGLES	±30'	J. SEARS		JS	10/28/20
DECIMALS	±0.050	TITLE: STC CONTROL W/LOADER 230/460 VOLT 3P HOPPER BANK			
FINISH		SHEET	REV	DRAWING NO.	SIZE
		2 OF 4	2	STC HB	D

REV	DATE	DESCRIPTION	BY	APP



ALARM STACK DETAIL PNP

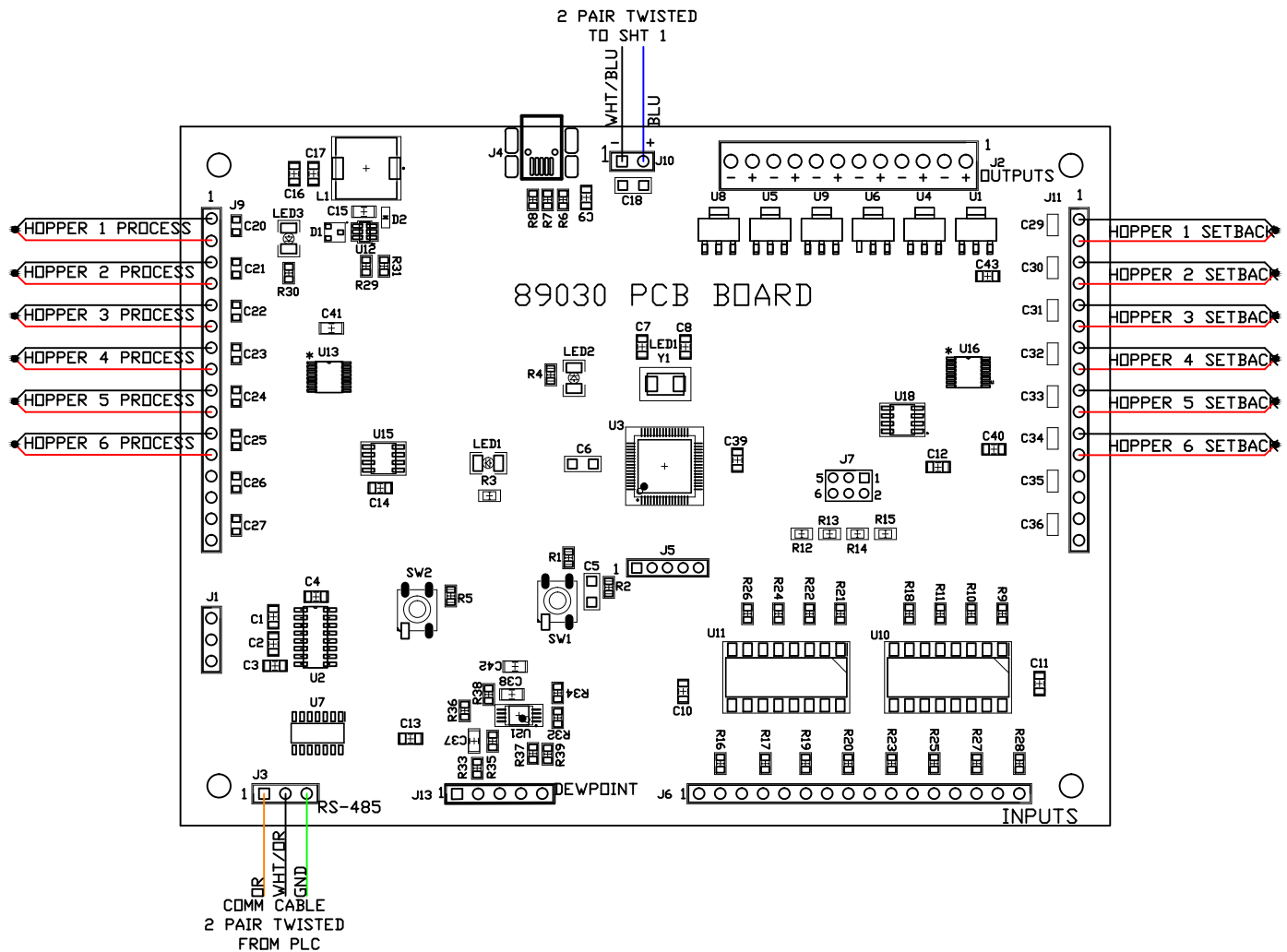
BUZZER DIP SW SETTINGS



This print property of DRI-Air Industries Inc. The information is submitted in confidence.

TOLERANCES UNLESS OTHERWISE SPECIFIED		DRI-AIR INDUSTRIES, INC.	
FRACTIONS 41/32	DECIMALS .005	DRAWN J.S.E.A.R.S.	DATE 10/28/20
ANGLES ±30°	DECIMALS .005	CHK'D JS	APP'D JS
REMOVE ALL BURRS AND SHARP EDGES DO NOT SCALE DWG.		TITLE STC CONTROL W/LOADER HOPPER BANK	

REV	DATE	DESCRIPTION	BY	APP	FDGSH	SHEET 3 OF 4	REV 2	DRAWING NO. STC HB	SIZE D
-----	------	-------------	----	-----	-------	--------------	-------	--------------------	--------



This print property of Dri-Air Industries Inc. The information is submitted in confidence.

TOLERANCES UNLESS OTHERWISE SPECIFIED						
FRACTIONS	41/32					
ANGLES	±20'	DRAWN	CHK'D	APP'D	DATE	SCALE
DECIMALS	3X/100	J.S.E.A.R.S.	J.S.	J.S.	10/28/20	N/A
J04/05 REMOVE ALL BURS AND SWAMP CORNERS DO NOT SCALE IN/OUT		TITLE STC CONTROL W/LOADER 230/460 VOLT 3P HOPPER BANK				

REV	DATE	DESCRIPTION	BY	APP	FDGSH	SHEET	REV	DRAWING NO.	SIZE
4	DF					4	2	STC HB	D